

Covert Mirror Camera

CC-87101B

1/3" Color High Resolution Square-Type
Mirror Camera

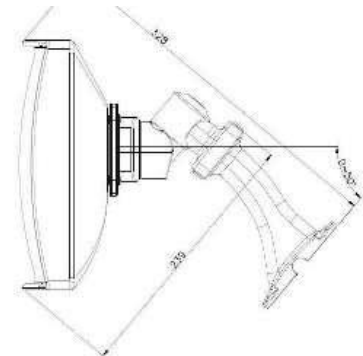
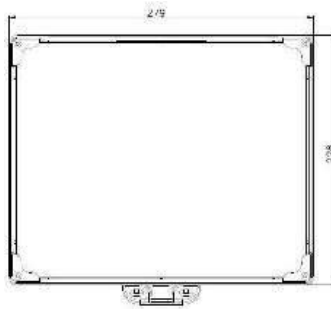
CC-188101B

1/3" Color Square-Type Mirror Camera

Features

- 1/3" Sony Super HAD CCD II, presents 550/420 TV lines of resolution.
- Min. illumination: 0.3 lx, 50 IRE, F1.4 / 0.01 lx, 10 IRE, F1.4.
- Equipped with 4.3mm fixed lens.
- Mirror-finished cover, provides comprehensive 24-hour surveillance.
- Metal 3-Axis cable management bracket, for both wall or ceiling mount.

Dimension (Unit: mm)



Specifications

Model No.	CC-87101B	CC-188101B
Description	High Resolution Covert Mirror Camera	Covert Mirror Camera
Image Sensor	1/3" Sony Super HAD CCD II	
Number of Effective Pixels	<NTSC>768(H)×494(V) <PAL> 752(H)×582(V)	<NTSC>510(H)×492(V) <PAL> 512(H)×582(V)
Resolution	550 TV Lines	420 TV Lines
Min. Illumination	0.3 lx, 50 IRE, F1.4 0.01 lx, 10 IRE, F1.4	
Gamma	0.45	
S/N Ratio	More than 48dB	
Sync. Mode	Internal Sync.	
Scanning System	2:1 Interlace	
Horizontal Sync. Frequency	<NTSC> 15.734KHz <PAL>15.625KHz	
Shutter Control	<NTSC>1/60~1/100,000 sec <PAL>1/50~1/100,000 sec	
BNC Video Output	Composite video 1.0Vpp, 75 Ohm	
Auto Electronics Shutter	ON	
Auto Gain Control	ON	
White Balance	ATW	
Lens	4.3mm Fixed Lens	
Operating Temperature	-10°C~+60°C	
Power Supply	DC 12V	
Power Consumption	2W	
Dimension	279(W) * 228(L) mm	
Weight	1 KG	

Specifications are subject to change without prior notice.

* With Hidden-Cable 3-Axis Bracket.