



LR7224X / LR7228X

DAY & NIGHT 1080P HD VARI-FOCAL IR IP CAMERA



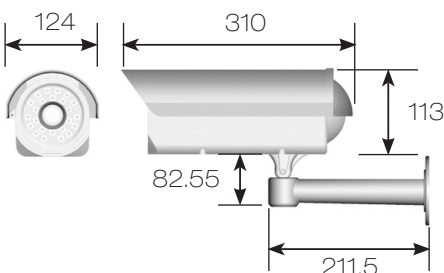
LR7224X/LR7228X in the L series is featuring built-in Sense up+ technology to deliver stunning video in low-light conditions. Utilizing intelligent image signal processing, 2D WDR function, AGC control, and 3D Noise Reduction, the combination successfully delivers the ultimate low-light image without motion blur. The IP66-rated housing is designed to help the camera body withstand rain and dust and ensures operation under a multitude of harsh weather conditions. Support with PoE, privacy mask, White balance, and minimum illumination 0.25 Lux at F1.4 Low Light Mode.

FEATURES :

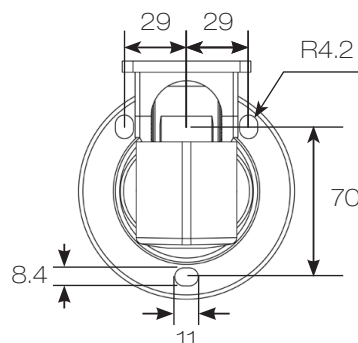
- Full HD 2 megapixel CMOS image sensor
- True H.264 AVC/MPEG-4 part 10
- H.264 and Motion JPEG triple Video streaming
- 3D Noise Reduction (MCTF)
- 2D WDR function
- Digital zoom supported
- Audio / motion / alarm detection
- Cable managed housing and bracket
- High efficiency IR LED, Radiant distance up to 55m
- Day & Night (IR cut removable)
- 2-way audio supported
- Digital I/O : 1 in, 1 out
- ONVIF supported

DIMENSIONS : (Unit : mm)

Body : 124(W) x 113(H) x 310(D) Bracket : 211.5(L)



INSTALLATION HOLE SITE DIAGRAM :



SPECIFICATION :

Name		Day & Night 1080P HD Vari-Focal IR IP Camera	
Model		LR7224EX3.6	LR7228EX3.6
Lens	Focal length		3.3 - 12 mm
	Iris		F1.4
	Angle of view	H	79.3° - 29.8°
		V	59.4° - 22.4°
		D	99° - 37.3°
Pick up element		1/2.7" CMOS image sensor	
Effective pixels		1920 (H) x 1080 (V) = 2,073,600 (pixel)	
Chip size		5.856mm (H) x 3.276mm (V)	
Scanning system		Progressive Scan	
Infrared cut filter		Auto / Schedule / Day (Color) / Night (Mono)	
Min. illumination		0.1 Lux at F1.4 (Low Light Mode) / 0 Lux with IR LED ON	
White balance		Auto / Tungsten / Indoor / Fluorescents1 / Fluorescents2 / Outdoor1 / Outdoor2	
Back light compensation		Off / On	
Electronic shutter		1/30(1/25)s - 1/8000s	
Sense up		Off / 1 Frame / 2 Frames / 3 Frames / 7 Frames	
Sense up +		Yes	
Auto gain control		36 dB Variable Gain	
3D Noise Reduction		Off / 1 - 32 Selectable	
2D WDR		Off / x2 / x3 / x4	
Privacy masking		Off / On (4 zones)	
Image effects		Brightness, Contrast, Hue, Saturation, Sharpness, Mirror, Flip	
Live Video output		CVBS 1.0Vp-p, 75 ohm, BNC connector	
Audio in / output		Mono, 1.4 Vp-p, 50 K Ω , Terminal connector	
IP rating		IP66	
Window		\varnothing 78 Heat Resistant Glass	
Infrared LED	Peak wavelength	850nm	
	Beam spread	30°	
	Radiant distance	55M	
Operating temperature		-40°C - +50°C (-40°F - 122°F)	
Dimension		Body : 124mm(W) x 113mm(H) x 310mm(D) , Bracket : 211.5mm(L)	
Weight		2200g	
Power supply		AC24V (\pm 10%)	AC100 - 240V (\pm 10%)
		PoE+ (IEEE 802.3at compliant)	
Power consumption		17W (PoE+, 20W)	

Network	
Video compression	H.264 , Motion JPEG
Resolution	1080P(1920 x 1080), 720P(1280 x 720), D1(720 x 480), CIF(352 x 240)
Maximum frame rate	H.264 : up to 15 fps @ 1920 x 1080 , 30fps @ 1280 x 720 , 30fps @ 720 x 480 Motion JPEG : up to 15 fps @ 1920 x 1080 , 30 fps @ 720 x 480 , 30 fps @ 352 x 240
Video streaming protocol	RTP/HTTP, RTP/TCP, RTP/UDP, Multicast
Video bitrate	128Kbps - 5Mbps
	Frame rate and bit rate controllable on-the-fly
	VBR / CBR / GOP supported
Security	Base64 HTTP encryption
	Multiple user access levels with password protection
	10 user accounts available
Users	8 simultaneous users
Digital zoom	Yes
OSD	Text overlay for date, time, and camera name
Alarm function	Alarm / motion detection triggering recording into SD card Image upload over FTP and E-mail by audio / motion detection
CPU, memory	Embedded SoC ARM11, 528MHz, 256MB DDR2, 256MB flash memory
Maintenance	Firmware update via HTTP
	Firmware available at web site
Network interface	10Mbps / 100Mbps Base-T, RJ-45
PC requirement	OS : Windows 2000, Windows XP, Windows Vista, Windows 7, Windows 8
	Browser : Windows Internet Explorer 6.0 or above
	CPU : Intel Pentium 4 1.8GHz or above
	RAM : 1GB or above, Independent Display Card
Network protocols	IP, TCP, UDP, HTTP, SMTP, NTP, DDNS, UPnP, FTP, ARP, DHCP, PPPoE, DNS, RTSP, RTCP, Telnet, ICMP, IGMP, ONVIF Profile S, SNMP, SIP, Bonjour
Mobile phone	iPhone, iPad, and Android support
System integration	ONVIF & LILIN HTTP API
Central management system	CMX 3.6 / NAV 1.0 support
Video display	LILIN Universal ActiveX & LILIN Java Applet
OS	Embedded Linux 2.6.32
Two-way audio	G.711 / PCM
SD card recording	Support Micro SD/SDHC card for circular recording (card is not included)
Alarm input / output	Digital 1 input (TTL, +3 - 5VDC) / 1 Output (MOS Relay contact N.O., Load max. 40VDC/300mA)

