



As with all Pro series cameras, Day & Night 1080P HD Dome IP Camera IPD2122 incorporates Sense up+, a unique technology that successfully delivers stunning video in low-light conditions. Utilizing intelligent image signal processing, AGC control, and 3D Noise Reduction, this model successfully delivers the ultimate low-light image without motion blur. The IPD2122 is capable of producing four independent video streams, different streams can be set for different applications, depending on the individual user requirements.

#### FEATURES :

- Full HD 2 megapixel CMOS image sensor
- True H.264 AVC/MPEG-4 part 10 real-time Video compression
- H.264 and Motion JPEG multi-profile Video streaming
- 3D Noise Reduction (MCTF)
- 2D WDR function
- Digital PTZ supported
- Face / tampering / motion detection
- 3-Axis camera construction
- Screw-on design dome cover for easy and secure installation
- Day & Night (IR cut removable)
- ONVIF supported

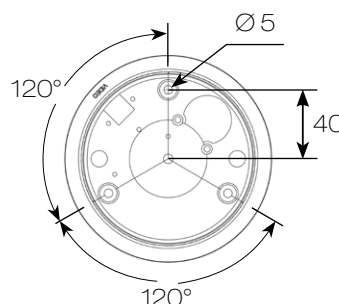
#### DIMENSIONS : (Unit : mm)

Ø120 x 102

Ø120



#### INSTALLATION HOLE SITE DIAGRAM :



## SPECIFICATION :

Name		Day & Night 1080P HD Dome IP Camera	
Model		IPD2122ES4.3	IPD2122ES6
Lens	Focal length		4.3 mm
	Iris		F1.6
	Angle of view	H	84.8°
		V	45.2°
D		100.6°	
Pick up element		1/2.7" CMOS image sensor	
Effective pixels		1920 (H) x 1080 (V) = 2,073,600 (pixel)	
Chip size		5.856mm (H) x 3.276mm (V)	
Scanning system		Progressive scan	
Infrared cut filter		Auto / schedule / day (color) / night (mono)	
Min. illumination		0.15 Lux at F1.6 (Low light mode)	0.18 Lux at F1.8 (Low light mode)
White balance		Auto / tungsten / indoor / fluorescents1 / fluorescents2 / outdoor1 / outdoor2	
Back light compensation		Off / on	
Electrical shutter		1/30s - 1/8000s	
Sense up		Off / 1 frame / 2 frames / 3 frames / 7 frames	
Sense up +		Yes	
Auto gain control		36 dB variable gain	
3D Noise Reduction		Off / 1 - 32 selectable	
2D WDR		Off / on	
Privacy masking		Off / on (4 zones)	
Image effects		Brightness, Contrast, Hue, Saturation, Sharpness, Mirror, Flip	
Operating temperature		-25°C - +50°C (-13°F - 122°F)	
Dimension		Ø 120 x 102mm	
Weight		400g	
Power supply		DC12V ±10% / PoE (IEEE 802.3af compliant)	
Power consumption		DC12V, 5W / PoE, 6W	

Network	
Video compression	
H.264 , Motion JPEG	
Resolution	
1080P(1920 x 1080), 720P(1280 x 720), D1(720 x 480), CIF(352 x 240)	
Multiple profile	Profile #1
	Profile #2
	Profile #3
	Profile #4
Video streaming	
RTP/HTTP, RTP/TCP, RTP/UDP, Multicast	
Video bitrate	
128Kbps - 5Mbps	
Frame rate and bit rate controllable on-the-fly	
VBR / CBR / GOP supported	
Security	
Base64 HTTP encryption	
Multiple user access levels with password protection	
10 user accounts available	
Users	
8 simultaneous users	
ePTZ & digital zoom	
Yes, ROI is supported	
OSD	
Text overlay for date, time, and camera name	
Alarm function	
Image upload over FTP and E-mail by face / tampering / motion detection	
CPU, memory	
Embedded SoC ARM11, 528MHz, 256MB DDR2, 256MB flash memory	
Maintenance	
Firmware update via HTTP	
Firmware available at web site	
Network interface	
10Mbps / 100Mbps Base-T, RJ-45	
PC requirement	
OS : Windows 2000, Windows XP, Windows Vista, Windows 7, Windows 8	
Browser : Windows Internet Explorer 6.0 or above	
CPU : intel pentium 4 1.8GHz or above	
RAM : 1GB or above, independent display card	
Network protocols	
IP, TCP, UDP, HTTP, SMTP, NTP, DDNS, UPnP, FTP, ARP, DHCP, PPPoE, DNS, RTSP, RTCP, Telnet, ICMP, IGMP, ONVIF Profile S, SNMP, SIP, Bonjour	
Mobile phone	
iPhone, iPad, and Android support	
System integration	
ONVIF & LILIN HTTP API	
Central management system	
CMX 3.6 / NAV 1.0 support	
Video display	
LILIN Universal ActiveX & LILIN Java Applet	
OS	
Embedded Linux 2.6.32	