



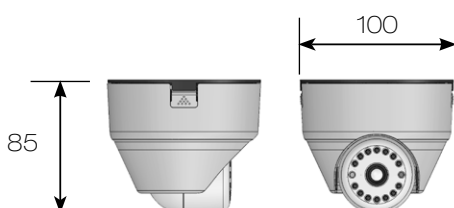
As with all Pro series cameras, Day & Night 1080P HD Vari-Focal Dome IP Camera IPR2522 incorporates Sense up+, a unique technology that successfully delivers stunning video in low-light conditions. Utilizing intelligent image signal processing, AGC control, and 3D Noise Reduction, this model successfully delivers the ultimate low-light image without motion blur. The IPR2522 is capable of producing four independent video streams, different streams can be set for different applications, depending on the individual user requirements.

#### FEATURES :

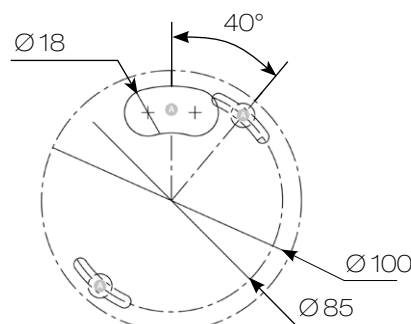
- Full HD 2 megapixel CMOS image sensor
- True H.264 AVC/MPEG-4 part 10 real-time video compression
- H.264 and Motion JPEG multi-profile video streaming
- 3D Noise Reduction (MCTF)
- 2D WDR function
- Digital PTZ supported
- Face / tampering / audio / motion / alarm detection
- Built-in highly sensitive microphone
- High efficiency IR LED, Radiant distance up to 10m
- Day & Night (IR cut removable)
- 2-way audio supported
- Digital I/O : 1 in, 1 out
- ONVIF supported

#### DIMENSIONS : (Unit : mm)

Ø100 x 85



#### INSTALLATION HOLE SITE DIAGRAM :



## SPECIFICATION :

Name		Day & Night 1080P HD Dome IR IP Camera		
Model		IPR2522ES4.3	IPR2522ES6	
Lens	Focal length	4.3 mm	6 mm	
	Iris	F1.6	F1.8	
	Angle of view	H	84.8°	57.6°
		V	45.2°	31.4°
D		100.6°	67.3°	
Pick up element		1/2.7" CMOS image sensor		
Effective pixels		1920 (H) x 1080 (V) = 2,073,600 (pixel)		
Chip size		5.856mm (H) x 3.276mm (V)		
Scanning system		Progressive scan		
Infrared cut filter		Auto / Schedule / Day (Color) / Night (Mono)		
Min. Illumination		0.15 Lux at F1.6 (Low Light Mode) 0 Lux with IR LED ON	0.18 Lux at F1.8 (Low Light Mode) 0 Lux with IR LED ON	
White balance		Auto / Tungsten / Indoor / Fluorescents1 / Fluorescents2 / Outdoor1 / Outdoor2		
Back light compensation		Off / On		
Electrical shutter		1/30s - 1/8000s		
Sense up		Off / 1 Frame / 2 Frames / 3 Frames / 7 Frames		
Sense up +		Yes		
Auto gain control		36 dB Variable Gain		
3D Noise Reduction		Off / 1 - 32 Selectable		
2D WDR		Off / On		
Privacy masking		Off / On (4 zones)		
Image effects		Brightness, Contrast, Hue, Saturation, Sharpness, Mirror, Flip		
Audio in / output		Mono, 1.4 Vp-p , 50 KΩ , Terminal connector		
Infrared led	Peak wavelength	850nm		
	Beam spread	30°		
	Radiant distance	10M		
Operating temperature		-25°C - +50°C (-13°F - 122°F)		
Dimension		Ø 100 x 85mm		
Weight		280g		
Power supply		DC12V ±10% / PoE (IEEE 802.3af compliant)		
Power consumption		DC12V, 7.5W / PoE, 8.5W		

Network		
Video compression	H.264 , Motion JPEG	
Resolution	1080P(1920 x 1080), 720P(1280 x 720), D1(720 x 480), CIF(352 x 240)	
Multiple profile	Profile #1	H.264 : up to 30 FPS @ 1920 x 1080, MJPEG : up to 30 FPS @ 720 x 480
	Profile #2	H.264 : up to 30 FPS @ 1280 x 720, MJPEG : up to 30 FPS @ 352 x 240
	Profile #3	H.264 : up to 30 FPS @ 1920 x 1080, MJPEG : up to 30 FPS @ 1280 x 720
	Profile #4	H.264 : up to 30 FPS @ 720 x 480, MJPEG : up to 15 FPS @ 1920 x 1080
Video streaming	RTP/HTTP, RTP/TCP, RTP/UDP, Multicast	
Video bitrate	128Kbps - 5Mbps	
	Frame rate and bit rate controllable on-the-fly	
	VBR / CBR / GOP supported	
Security	Base64 HTTP encryption	
	Multiple user access levels with password protection	
	10 user accounts available	
Users	8 simultaneous users	
Eptz & digital zoom	Yes, ROI is supported	
OSD	Text overlay for date, time, and camera name	
Alarm functions	Alarm / motion / tampering / face / alarm detection triggering recording into SD card	
	Image upload over FTP and E-mail by face / tampering / audio / motion detection	
CPU, memory	Embedded SoC ARM11, 528MHz, 256MB DDR2, 256MB flash memory	
Maintenance	Firmware update via HTTP	
	Firmware available at web site	
Network interface	10Mbps / 100Mbps Base-T, RJ-45	
PC requirement	OS : Windows 2000, Windows XP, Windows Vista, Windows 7, Windows 8, Windows 8	
	Browser : Windows Internet Explorer 6.0 or above	
	CPU : intel pentium 4 1.8GHz or above	
	RAM : 1GB or above, Independent Display Card	
Network protocols	IP, TCP, UDP, HTTP, SMTP, NTP, DDNS, UPnP, FTP, ARP, DHCP, PPPoE, DNS, RTSP, RTCP, Telnet, ICMP, IGMP, ONVIF Profile S, SNMP, SIP, Bonjour	
Mobile phone	iPhone, iPad, and Android support	
System integration	ONVIF & LILIN HTTP API	
Central management system	CMX 3.6 / NAV 1.0 support	
Video display	LILIN Universal ActiveX & LILIN Java Applet	
Os	Embedded Linux 2.6.32	
Two-way audio	G.711 / PCM	
SD card recording	Support Micro SD/SDHC card for circular recording (card is not included)	
Alarm input / output	Digital 1 input (TTL, +3 - 5VDC) / 1 Output (MOS Relay contact N.O., Load max. 40VDC/300mA)	

