

DAY & NIGHT 1080P HD VANDAL RESISTANT DOME IR IP CAMERA



As with all Pro series cameras, the Day & Night 1080P HD VR Dome IR IP Camera IPR320X incorporates Sense up+, a unique technology that successfully delivers stunning video in low-light conditions. Utilizing intelligent image signal processing, AGC control, and 3D Noise Reduction, this model successfully delivers the ultimate low-light image without motion blur. The IPR320X is capable of producing four independent video streams, different streams can be set for different applications, depending on the individual user requirements. The IP66-rated housing is designed to help the camera body withstand rain and dust and ensures operation under a multitude of harsh weather conditions.

FEATURES :

- Full HD 2 megapixel CMOS image sensor
- True H.264 AVC/MPEG-4 part 10 real-time Video compression
- H.264 and Motion JPEG multi-profile Video streaming
- 3D Noise Reduction (MCTF)
- 2D WDR function
- Digital PTZ supported
- Face / tampering / motion detection
- High efficiency IR LED, Radiant distance up to 25m
- Innovative external adjustment with waterproof for zoom and focus of Vari-Focal Lens
- Day & Night (IR cut removable)
- ONVIF supported

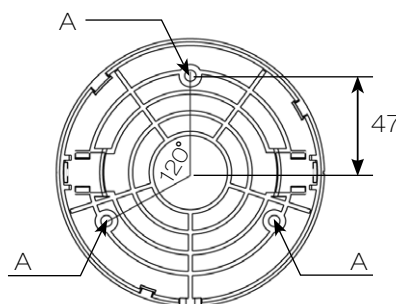
DIMENSIONS : (Unit : mm)

Ø 130 x 115

Ø 130



INSTALLATION HOLE SITE DIAGRAM :



A (M3.0*25, wooden screw)

SPECIFICATION :

Name		Day & Night 1080P HD Vandal Resistant Dome IR IP Camera	
Model		IPR320ESX3.6	
Lens	Focal length	3.3 – 12 mm	
	Iris	F1.4	
	Angle of view	H	79.3° – 29.8°
		V	59.4° – 22.4°
D		99° – 37.3°	
Pick up element		1/2.7" CMOS image sensor	
Effective pixels		1920 (H) x 1080 (V) = 2,073,600 (pixel)	
Chip size		5.856mm (H) x 3.276mm (V)	
Scanning system		Progressive scan	
Infrared cut filter		Auto / schedule / day (color) / night (mono)	
Min. illumination		0.1 Lux at F1.4 (Low light mode) / 0 Lux with IR LED on	
White balance		Auto / tungsten / indoor / fluorescents1 / fluorescents2 / outdoor1 / outdoor2	
Back light compensation		Off / on	
Electrical shutter		1/30s – 1/8000s	
Sense up		Off / 1 frame / 2 frames / 3 frames / 7 frames	
Sense up +		Yes	
Auto gain control		36 dB variable gain	
3D Noise Reduction		Off / 1 – 32 selectable	
2D WDR		Off / on	
Privacy masking		Off / on (4 zones)	
Image effects		Brightness, Contrast, Hue, Saturation, Sharpness, Mirror, Flip	
IP rating		IP66	
Vandal resistant rating		IK7	
Infrared LED	Peak wavelength	850nm	
	Beam spread	30°	
	Radiant distance	25M	
Operating temperature		-40°C – +50°C (-40°F – 122°F)	
Dimension		Ø 130 x 115mm	
Weight		1000g	
Power supply		PoE (IEEE 802.3af compliant)	
Power consumption		10.2W	

Network		
Video compression		H.264 , Motion JPEG
Resolution		1080P(1920 x 1080), 720P(1280 x 720), D1(720 x 480), CIF(352 x 240)
Multiple profile	Profile #1	H.264 : up to 30 FPS @ 1920 x 1080, MJPEG : up to 30 FPS @ 720 x 480
	Profile #2	H.264 : up to 30 FPS @ 1280 x 720, MJPEG : up to 30 FPS @ 352 x 240
	Profile #3	H.264 : up to 30 FPS @ 1920 x 1080, MJPEG : up to 30 FPS @ 1280 x 720
	Profile #4	H.264 : up to 30 FPS @ 720 x 480, MJPEG : up to 15 FPS @ 1920 x 1080
Video streaming		RTP/HTTP, RTP/TCP, RTP/UDP, Multicast
Video bitrate		128Kbps – 5Mbps
		Frame rate and bit rate controllable on-the-fly
		VBR / CBR / GOP supported
Security		Base64 HTTP encryption
		Multiple user access levels with password protection
		10 user accounts available
Users		8 simultaneous users
ePTZ & digital zoom		Yes, ROI is supported
OSD		Text overlay for date, time, and camera name
Alarm functions		Image upload over FTP and E-mail by face / tampering / motion detection
CPU, memory		Embedded SoC ARM11, 528MHz, 256MB DDR2, 256MB flash memory
Maintenance		Firmware update via HTTP
		Firmware available at web site
Network interface		10Mbps / 100Mbps Base-T, RJ-45
PC requirement		OS : Windows 2000, Windows XP, Windows Vista, Windows 7, Windows 8
		Browser : Windows Internet Explorer 6.0 or above
		CPU : intel pentium 4 1.8GHz or above
		RAM : 1GB or above, independent display card
Network protocols		IP, TCP, UDP, HTTP, SMTP, NTP, DDNS, UPnP, FTP, ARP, DHCP, PPPoE, DNS, RTSP, RTCP, Telnet, ICMP, IGMP, ONVIF Profile S, SNMP, SIP, Bonjour
Mobile phone		iPhone, iPad, and Android support
System integration		ONVIF & LILIN HTTP API
Central management system		CMX 3.6 / NAV 1.0 support
Video display		LILIN Universal ActiveX & LILIN Java Applet
OS		Embedded Linux 2.6.32