

# QH-3126A13C-N

1.3MP 720P AHD Camera

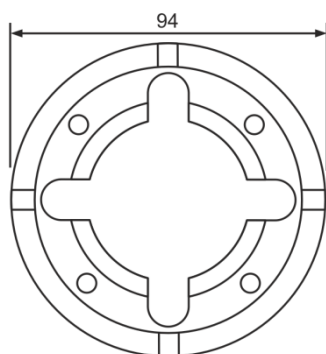
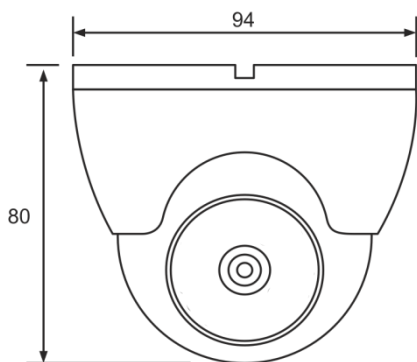
**QIHAN**  
Creation for Intelligent Life



## Feature

- Analog HD, 720P,
- Long-distance transmission, None-delay
- Open standard for good compatibility, Easy operation
- High-Integrate for the high-quality reliable transmission

## Dimensions



Unit: mm

## Technical Specifications

<b>Model NO.</b>	<b>QH-3126A13C-N</b>
Image Device	1/3" HD CMOS
TV System	PAL/NTSC
Total Pixels	1.3M Pixels
Resolution	1280 ( H ) *720 ( V )
Scanning System	Progressive
Synchronization	Internal
Min. Illumination	0 Lux ( LED on )
S/N Ratio	>58db
Video Output	1Vp-p, 75ohm, BNC
<b>LENS</b>	
Focal Length	2.8MM/3.6MM/6MM Fixed Lens
<b>OPERATIONAL(For OSD Model)</b>	
LENS	DC/MANUAL
Shutter	Auto,1/25-30(FLK)
AGC	0-15
SENS-UP	OFF/Auto
Brightness	0-100
D-WDR	ON/OFF
Defog	ON/OFF
Backlight	ON/OFF
White Bal	ATW/Indoor/Outdoor
Day&Night	EXT/Color/B/W/Auto
IR Smart	Yes
2DNR/3DNR	Yes
Cam Title	Yes
D-Effect	Freeze/Mirror
Motion	4 area
Privacy	4 area
Language	CHN1/CHN2/GER/FRA/ITA/SPA/POL/RUS/POR/
Defect	Live DPC/White DPC/Black DPC
Infrared LED	24 LEDs
IR Distance	10~20m
IR-CUT	YES
Infrared Spectrum	850nm
<b>OPERATIONAL</b>	
Operation Temperature	-10℃ ~ +50℃
Storage Temperature	-20℃ ~ +60℃
Water-proof Casing	IP66
<b>ELECTRICAL</b>	
Max Power	4.74W
Adapter Requirement	DC12V1A
<b>MECHANICAL</b>	
Color	White
Dimensions	95*73mm
Net Weight	370g/pcs
Transmission distance	500meters(75-3)