

# QH-3242A13C-N

1.3MP 720P AHD Camera

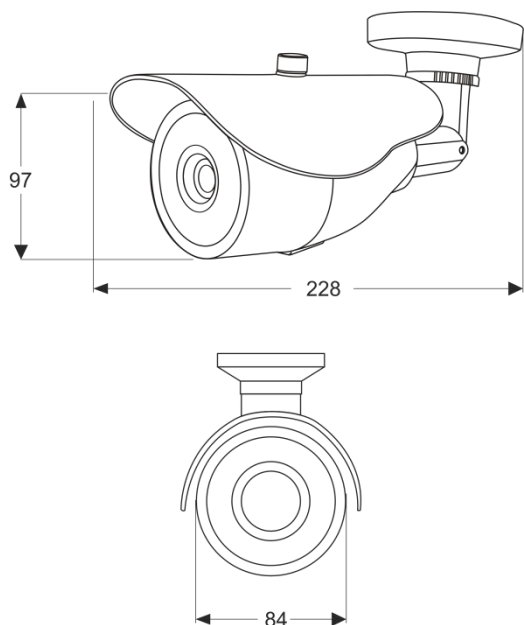
**QIHAN**  
Creation for Intelligent Life



## Feature

- Analog HD, 720P,
- Long-distance transmission, None-delay
- Open standard for good compatibility, Easy operation
- High-Integrate for the high-quality reliable transmission

## Dimensions



Unit: mm

## Technical Specifications

<b>Model NO.</b>	QH-3242A13C-N
Image Device	1/3" HD CMOS
TV System	PAL/NTSC
Total Pixels	1.3M Pixels
Resolution	1280(H)*720(V)
Scanning System	Progressive
Synchronization	Internal
Min. Illumination	0 Lux (LED on)
S/N Ratio	>58db
Video Output	1Vp-p, 75ohm, BNC
<b>LENS</b>	
Focal Length	3.6/6MM Fixed Lens
<b>OPERATIONAL(For OSD Model)</b>	
LENS	DC/MANUAL
Shutter	Auto,1/25-30(FLK)
AGC	0-15
SENS-UP	OFF/Auto
Brightness	0-100
D-WDR	ON/OFF
Defog	ON/OFF
Backlight	ON/OFF
White Bal	ATW/Indoor/Outdoor
Day&Night	EXT/Color/B/W/Auto
2DNR/3DNR	Yes
Cam Title	Yes
D-Effect	Freeze/Mirror
Motion	4 area
Privacy	4 area
Language	CHN1/CHN2/GER/FRA/ITA/SPA/POL/RUS/POR/NE
Defect	Live DPC/White DPC/Black DPC
Infrared LED	42LEDs
IR Distance	30~40m
IR-CUT	YES
Infrared Spectrum	850nm
<b>OPERATIONAL</b>	
Operation Temperature	-10℃ ~ +50℃
Storage Temperature	-20℃ ~ +60℃
Water-proof Casing	IP66
<b>ELECTRICAL</b>	
Max Power	6.06W
Adapter Requirement	DC12V1A
<b>MECHANICAL</b>	
Color	White
Dimensions	228*97*84MM
Net Weight	750g/pcs
Transmission distance	500meters(75-3)