

# QH-3504SC-NU

3.6mm/6mm Fixed Lens, 24LED, 1.3MP

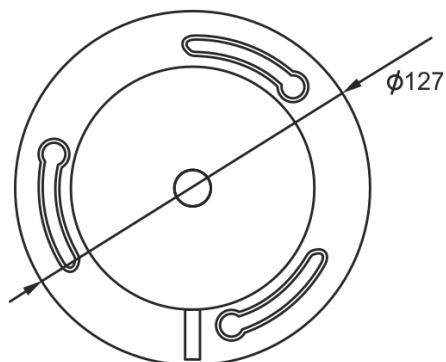
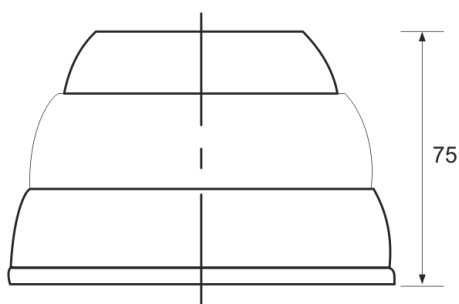
**QIHAN**  
Creation for Safe Life



## Feature

- Analog HD, 720P, Long-distance transmission, None-delay, Open standard for good compatibility, Easy operation, High-Integrate for the high-quality reliable transmission.

## Dimensions



Unit: mm

## Technical Specifications

Model NO.	QH-3504SC-NU
VIDEO	
Image Device	1/3" Sony "Exmor" CMOS
TV System	PAL/NTSC
Total Pixels	1.37M Pixels
Effective Pixels	1280 ( H ) *720( V )
Scanning System	Progressive
Synchronization	Internal
Min. Illumination	0 Lux (LED on)
S/N Ratio	>58db
Video Output	1Vp-p,75ohm, BNC
LENS	
Focal Length	3.6MM or 6MM Fixed Lens
OPERATIONAL	
LENS	DC/MANUAL
Shutter	Auto, 1/25-30(FLK)
AGC	0-15
SENS-UP	OFF/Auto
Brightness	0-100
D-WDR	ON/OFF
Defog	ON/OFF
Backlight	ON/OFF
White Bal	ATW/Indoor/Outdoor
Day&Night	EXT/Color/B/W/Auto
IR Smart	Yes
2DNR/3DNR	Yes
Cam Title	Yes
D-Effect	Freeze/Mirror
Motion	4 area
Privacy	4 area
Language	CHN1/CHN2/GER/FRA/ITA/SPA/POL/RUS/POR/NED/TUR
Defect	Live DPC/White DPC/Black DPC
Infrared LED	24EA
IR Distance	10 ~ 20 Meters
IR-CUT	YES
Infrared Spectrum	850nm
OPERATIONAL	
Operation Temperature	-10℃ ~ +60℃
Storage Temperature	-20℃ ~ +70℃
Water-proof Casing	Plastic
ELECTRICAL	
Max Power	4.74W
Adapter Requirement	DC12V1A
MECHANICAL	
Color	White
Dimensions	92*80MM
Net Weight	190g/pcs
Transmission distance	500meters(75-3)