

QH-AP7310A-A-Q2322A

1080P AHD PTZ

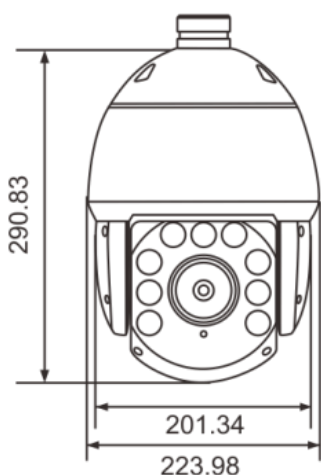
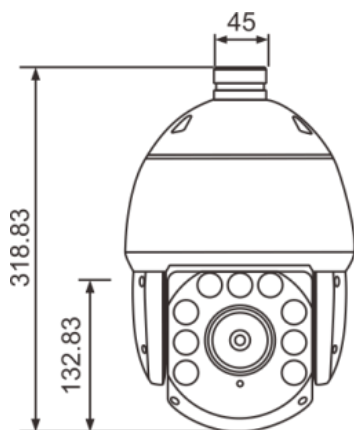
QIHAN
Creation for Safe Life



Feature

- 7" AHD PTZ, 22X, 1080P, f=4.5-99MM, AF, ATW, AE, ICR

Dimensions



Unit: mm

Technical Specifications

Model NO.	QH-AP7310A-A-Q2322A
Lens	22X Optical Zoom, 16X Digital Zoom
Effective Pixels	1920*1280
UTC	Yes
Operation	
OSD menu	English, Chinese, , Russian, Spanish Optional
Preset position	256 Preset Positions
Scan	Auto scan and left-right limited scan, speed
Patro	8 tracks, preset, speed and dwell time changeable
Pattern	6 Lines(Pan/Tilt/Zoom, every line can record up to
Alarm	4 alarm inputs , 2 alarm outputs (optional)
Password protection	YES
Temperature display	YES(Temperature alarm set, Temperature Display)
Authority Management	YES
Address range	0~255 (Setup by dip switcher, firmware)
Communication	RS485 (+/-)
Baud rate	2400/4800/9600/19200
Protocol	PELCO-D, PELCO-P , ULTRACK, VICON,
Device title	Display on/off
Zoom times	Display on/off
Firmware Update	RS485 (+/-)
Mechanical	
Pan range	0°~ 360° continuously
Pan speed	0.1~ 240°/s
Tilt range	0°~ 90°, Auto Flip 180°to Continue Monitor
Tilt speed	0.1~ 180°/s
Precision	±0.10°
Infrared	
IR Distance	150 Meters
IR Control	Auto/Manual
IR Driver	PWM
IR Detect Time	2~15s, Sync with the Camera
IR Light Level	0~30 Adjustable
IR Sensitivity	0~30 Adjustable
Standby Level	OFF/1~30 Adjustable
IR Mode	Auto/Far/Near/Far+Near/Close
Others	
Housing	Aluminum Alloy, Vandal Proof Housing,Wall
Lighting proof	6000V
Ingress protection	IP66
Work temp	-40°C~+60°C
Work humidity	0%~90%
Power	AC24V/4A
Weight	3.8kg
Size	φ223.98*290.83mm
Zoom lens option	
Optional Zoom Brand	Q2322A: QH-Q2322A