

# QH-W357SC-NU

1.3MP 720P AHD Camera

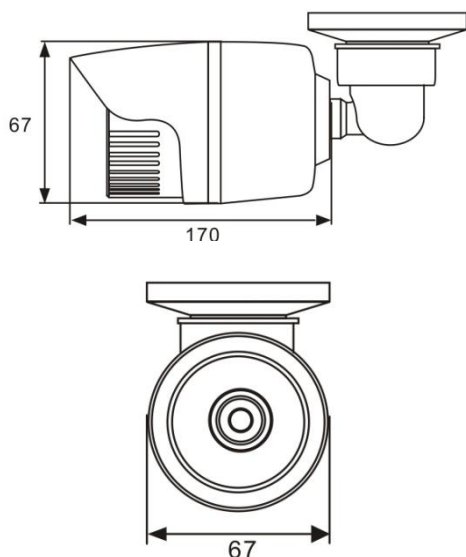
**QIHAN**  
Creation for Safe Life



## Feature

- Long-distance transmission, None-delay
- Open standard for good compatibility, Easy operation
- High-Integrate for the high-quality reliable transmission

## Dimensions



Unit: mm

## Technical Specifications

Model NO.	QH-W357SC-NU
VIEW	PAL/NTSC
Image Device	1/3" Sony "Exmor" CMOS
<b>TV System</b>	
Total Pixels	1.37M Pixels
Effective Pixels	1280 ( H ) * 720 ( V )
Scanning System	Progressive
Synchronization	Internal
Min. Illumination	0 Lux (LED on)
S/N Ratio	>58db
Video Output	1Vp-p,75ohm, BNC
Min. Illumination	0 Lux(IR ON)
<b>LENS</b>	
Focal Length	3.6/6MM Fixed Lens
<b>OPERATIONAL</b>	
LENS	DC/MANUAL
Shutter	Auto,1/25-30(FLK)
AGC	0-15
SENS-UP	OFF/Auto
Brightness	0-100
White Bal	ATW/Indoor/Outdoor
Day&Night	EXT/Color/B/W/Auto
IR Smart	Yes
2DNR/3DNR	Yes
Cam Title	Yes
D-Effect	Freeze/Mirror
Motion	4 area
Privacy	4 area
Language	CHN1/CHN2/GER/FRA/ITA/SPA/POL/RUS/POR/ NED/TUR
Defect	Live DPC/White DPC/Black DPC
Infrared LED	24EA
IR Distance	10~20 Meters
Infrared Spectrum	850nm
<b>ENVIRONMENTAL</b>	
Operation Temperature	-10℃ ~ +60℃
Storage Temperature	-20℃ ~ +70℃
Water-proof Casing	IP66
<b>ELECTRICAL</b>	
Input Voltage/Current	4.74W
Adapter Requirement	DC12V 1A
<b>MECHANICAL</b>	
Color	White
Net Weight	320g/pcs
Transmission Distance	500meters(75-3)