

KEY FEATURES

- Attractive styling Design
- High Reliability Die-Cast Aluminium Alloy Construction
- Cable Entry with IP68 Glands
- High Wear / UV Resistant Rubber Seal
- Stainless Allen-head Screws for Tampering and Rust prevention
- 3 mm Temper glass window with High Reliability Gel
- Weatherproof to highest level IP68
- Robust Cable management bracket assembly
- Designed for Indoor/Outdoor Applications
- Easy Access for Servicing and Installation
- Fused input terminal block
- Models Available with Factory-Installed Heater and Blower with Multiple voltage option



PATENTED H1B1 ENCLOSURE AND MOUNT

The **H1B1** Series comprises a stylish pressure die cast enclosure, sized to suit CCD cameras with fixed focus lenses, plus wall bracket with cable management system.

The equipment has a compact body length of 13.38 (base) and 14.76 (overall) inches (34.0 and 37.5 cm, respectively).

H1B1 Series is designed to provide the installer with a secure and reliable camera option.

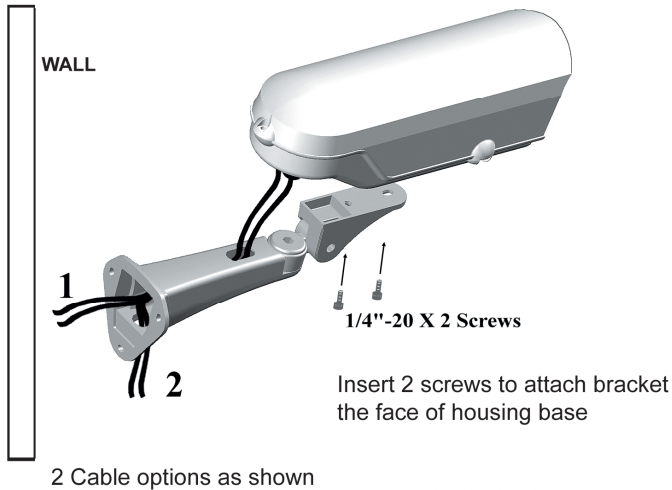
The internal camera cavity is simply accessed by loosening 3 stainless allen screws. Two adjustable glands (PG13.5) on the bottom of the enclosure allow for easy installation of the power and video cables.



ASON-CCTV CO., LTD. • H&B SECURITY CO., LTD.

NO.336, GUANGDONG 3RD ST., CIANJHEN District, KAOHSINUNG CITY, 806, Taiwan. TEL:+886 7 7161609 • FAX:+886 7 7521014

Figure for wall mounting



GENERAL

Construction	Entirely made of die-cast aluminum alloy	
Finish	RAL 9010 color of UV rays resistant powder coat	
Environment	Totally protected against dust and any water from all directions	
Weight	H1B1	4.52 lb (2.05 kg)
	H1B1 124H	5.25 lb (2.38 kg)
	H1B1 230H	5.25 lb (2.38 kg)
	H1B1 12B	4.96 lb (2.25 kg)
	H1B1 24B	4.96 lb (2.25 kg)
	H1B1 12HB	5.68 lb (2.58 kg)
	H1B1 24HB	5.68 lb (2.58 kg)

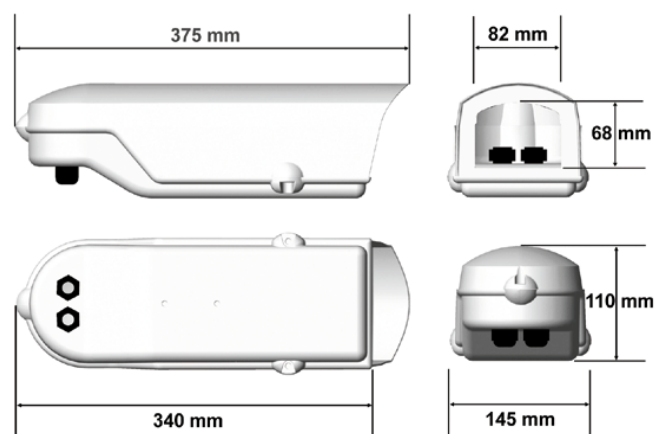
MECHANICAL

Window 4 mm thick tempered glass
82 x 68 mm (W X H) in viewing

Enclosure	Length base	340 mm
	overall	375 mm
	Width	145 mm,
	Height	110 mm

Internal usable area
250 mm length
110 mm Width
70 mm Height

Certification	Meets international IP68 standard
Camera mount	Slot plate for adjustable camera positioning
Certification	Meets international IP68 standard
Cable Entry	2 X PG 13.5 IP68 rating cable glands



ASON-CCTV CO., LTD. • H&B SECURITY CO., LTD.

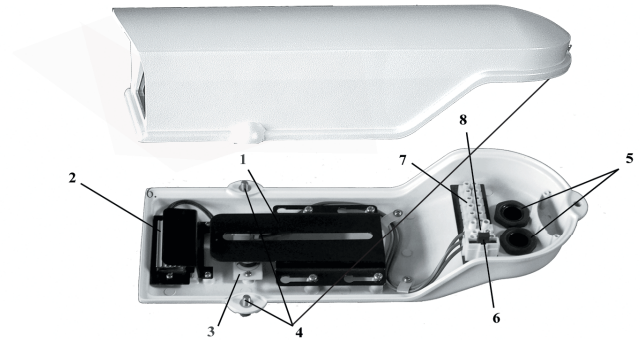
NO.336, GUANGDONG 3RD ST., CIANJHEN District, KAOHSINUNG CITY, 806, Taiwan. TEL:+886 7 7161609 • FAX:+886 7 7521014

MECHANICAL

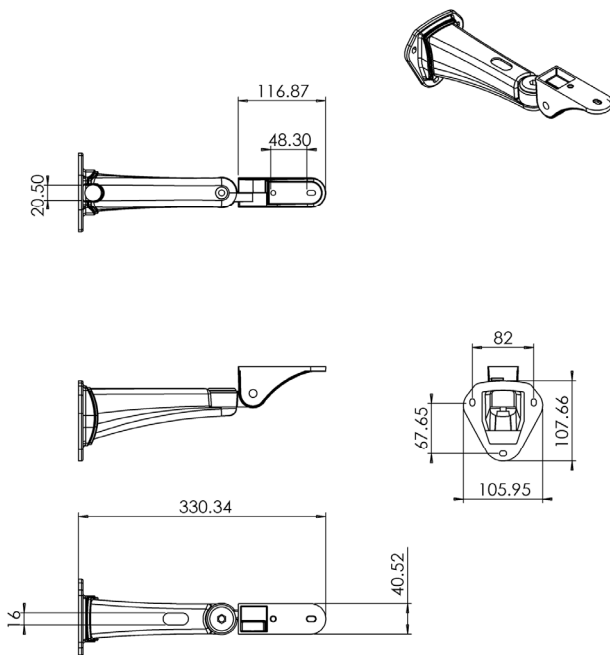
- Bracket** Robust wall mounting design ,
Length 330 mm
- Fully adjustable swivel head by 2 stainless steel allen-head screws
- Very good resistance to swaying
- Tilt angle of +40° to -150°;
- Pan angle of +100° to -100°
- Load rating: 76 lb (30kg)

ELECTRICAL

- Heater control** Below 15°±3°C automatic turning on
Above 25°±3°C automatic turning off
- Blower control** Above 35°±3°C automatic turning on
Below 25°±3°C automatic turning off
- Terminal block** Fuse input (Max. 400V)



- 1. Camera mounting plate
- 2. Heater element
- 3. Thermostat control board
- 4. Retained housing fixings
- 5. Cable glands
- 6. Fuse plug
- 7. Connector block
- 8. Earth screw point



H1B1 Series						
MODEL	Basic Enclosure & Mount	Heater 12Vdc / 24Vac	Heater 100 ~ 240Vac	Blower 12Vdc	Blower 24Vac	Max. Consumption
H1B1	◆					
H1B1 124H	◆	◆				30W
H1B1 230H	◆		◆			40W
H1B1 12B	◆			◆		4W
H1B1 24B	◆				◆	4W
H1B1 12HB	◆	◆		◆		24W
H1B1 24HB	◆	◆			◆	34W



ASON-CCTV CO., LTD. • H&B SECURITY CO., LTD.

NO.336, GUANGDONG 3RD ST., CIANJHEN District, KAOHSINUNG CITY, 806, Taiwan. TEL:+886 7 7161609 • FAX:+886 7 7521014