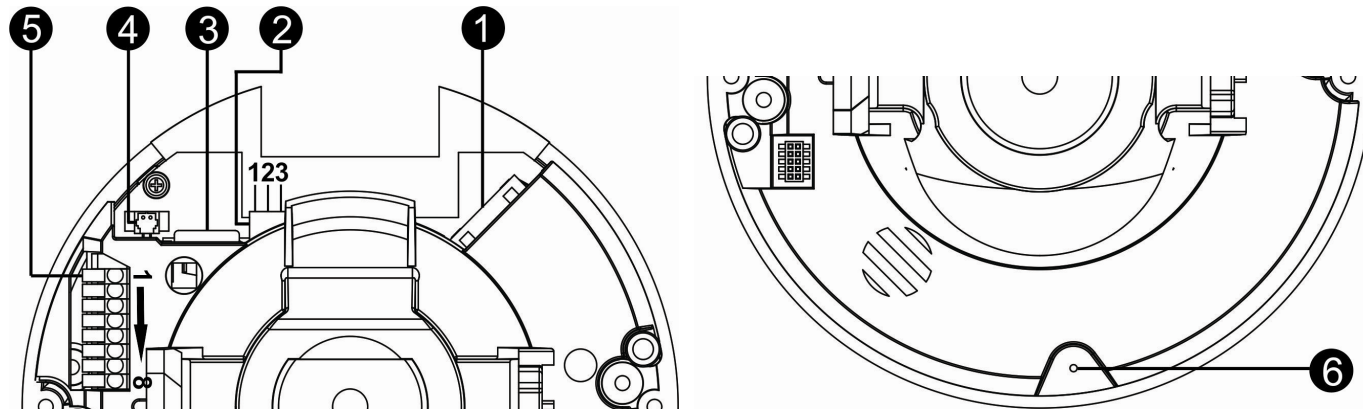


Full HD Multiple Streams Micro Dome IP Camera Quick Guide

The Quick Guide is for quick installing and connecting the Full HD Multiple Streams Micro Dome IP Camera. For details, please refer to the IP Camera's User Manual.

Camera's Connectors (for Indoor Only)



No.	Connector	Pin	Definition	Remarks		
1	RJ-45	-	10/100 Mbps Ethernet / PoE			
2	Power	AC 24V / DC 12V	1	AC 24V: Power-1	DC 12V: Power	
			2	AC 24V: GND		DC 12V: Reserved
			3	AC 24V: Power-2		DC 12V: GND
3	microSD Card Slot	-	For video recording storage			
4	Video (BNC Connector)*	-	For analog Video Output			
5	Alarm & Audio I/O	1	Alarm In (-)	Alarm connection		
		2	Alarm In (+)			
		3	Alarm Out (-)			
		4	Alarm Out (+)	Line Out		
		5	Audio Out (L)			
		6	Audio Out (R)			
7	GND					
8	Audio In	Line In				
6	Default Button	-	Press the button with one finger to default the system.			

(*) Optional

NOTE: Please insert the SD card into the microSD Card Slot before power on the camera. If the camera is already powered on, reboot the camera after the SD card is inserted.

IP Camera Installation

Please follow the instructions below to complete IP Camera installation.

Power up the Camera

To power up the IP Camera, please plug the camera's DC 12V / AC 24V cable into the power terminal block. Alternatively, connect the Ethernet Cable to the camera's RJ-45 port and plug the other end of the Cable into a PoE switch.

NOTE: If PoE is used, make sure Power Sourcing Equipment (PSE) is in use in the network.

Ethernet Cable Connection

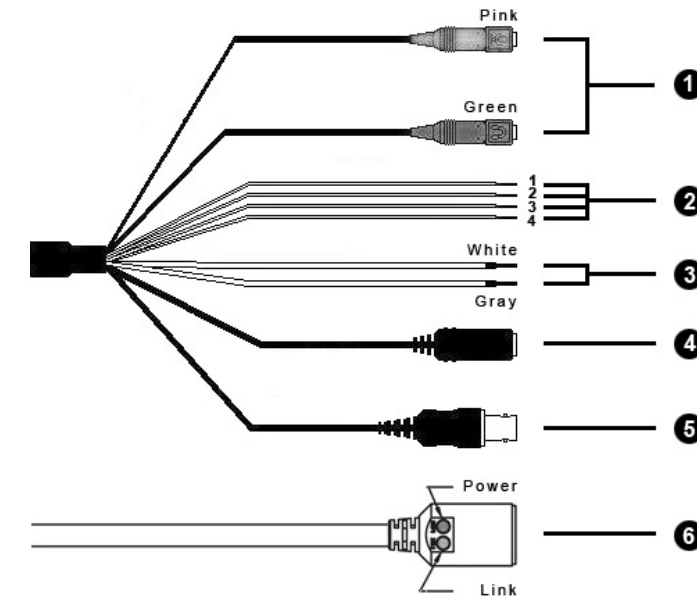
Connect one end of the CAT5 Ethernet Cable to the RJ-45 connector of the IP Camera, and the other end of the cable to the network switch or PC.

NOTE: In some cases, Ethernet Crossover Cable might be needed when connecting the IP Camera directly to the PC.

NOTE: Check the status of the link indicator and activity indicator LEDs. If the LEDs are unlit, please check LAN connection.

Green Link Light indicates good network connection.
Orange Activity Light flashes for network activity indication.

Function Cable Definition (for Outdoor only)



No.	Connector	Pin	Definition	Remarks	
1	Audio I/O	Pink	Line In	Two-way audio transmission	
		Green	Line Out		
2	Alarm (4-Pin Terminal Block)	1	Alarm In (-)	Blue	
		2	Alarm In (+)	Green	
		3	Alarm Out (-)	Yellow	
		4	Alarm Out (+)	Orange	
3	Power	AC 24V	White	AC 24_1	Power connection
			Gray	AC 24_2	
4	Power DC Jack	-	DC 12V	Power connection	
5	Video (BNC Connector)	-	For analog Video Output		
6	RJ-45	-	10/100 Mbps Ethernet / PoE		
-	Default Button	-	Please refer to Default Button in the table under Camera's Connectors.		

*If the function cable is used, make sure the color pins are connected correctly.

Before Login to the IP Camera

A client program will be automatically installed on the PC when connecting to the IP Camera. Before logging in to the IP Camera, please ensure downloading the ActiveX control is allowed by either changing the ActiveX controls and plug-ins or setting Internet's security level to default. For further details, please refer to the IP Camera's User Manual.

ActiveX Controls and Plug-ins Settings	Internet Security Level
<p>Step 1: Start the Internet Explorer (IE).</p> <p>Step 2: Select <Tools> from the main menu of the browser. Then click on <Internet Options>.</p> <p>Step 3: Click on the <Security> tab and select "Internet", and click on <Custom level> to change ActiveX settings.</p> <p>Step 4: Set "ActiveX controls and plug-ins" items to <Prompt> or <Enable>.</p>	<p>Step 1: Start the Internet Explorer (IE).</p> <p>Step 2: Select <Tools> from the main menu of the browser. Then click on <Internet Options>.</p> <p>Step 3: Click on the <Security> tab and select "Internet".</p> <p>Step 4: Down the page, click "Default Level" and click on <OK> to confirm the setting. Close the browser window, and open a new one later for accessing the IP Camera.</p>

IP Camera Login

The IP Camera's default IP address is: **192.168.0.250**. Therefore, to access the IP Camera for the first time, set the PC's IP address as: 192.168.0.XXX; for example:

IP Address: 192.168.0.100

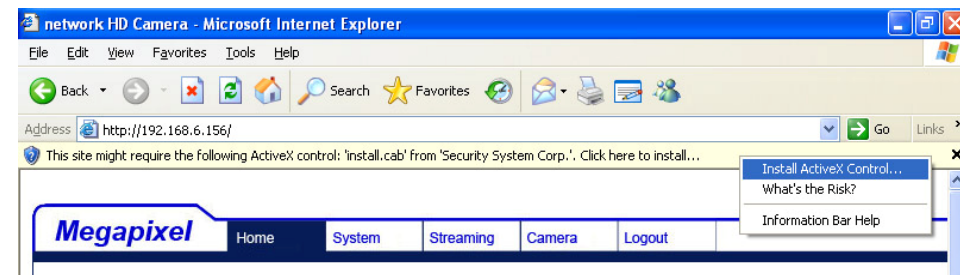
Subnet Mask: 255.255.255.0

Login ID and Password

- Key in the IP Camera's IP address in the URL bar of the Web browser window and click on <Enter>.
- Enter the default user name (**Admin**) and password (**1234**) in the prompt request dialogue. Note that user name is case sensitive.

Install the ActiveX Control

- After connecting to the IP Camera, the request for installing the ActiveX control will appear just below the URL bar.
- Right click on the information bar, and then click on "Install ActiveX Control..." to permit ActiveX control installation.



- In the pop-up security warning window, click on <Install> to start downloading DC Viewer software on the PC.
- Click on <Finish> after DC Viewer installation is complete.

Browser-based Viewer

The main page of the IP Camera user interface is shown as the figure below. Please note that function buttons will vary depending on the camera model.



Full HD Multiple Streams Micro Dome IP Camera Quick Guide

Ver. 1.1