

Full HD Multi-Streams Micro Dome IP Camera

User's Manual

Ver. 1.1

Table of Contents

1. Overview	2
1.1 Features	2
1.2 Package Contents	3
1.3 Dimensions	5
1.4 Connectors (for Indoor Only)	6
1.5 Function Cable Definition (for Outdoor only)	7
2. Camera Cabling	8
2.1 Connect Power	8
2.2 Connect Ethernet Cable	8
2.3 Connect Alarm I/O	9
3. System Requirements	10
4. Access Camera	11
5. Setup Video Resolution	14
6. Configuration Files Export / Import	15
Appendix A: Technical Specifications	16
Appendix B: Delete the Existing DC Viewer	22
Appendix C: Setup Internet Security	23
Appendix D: Video Resolution	24
2M- Quad Streams	24
2M- Triple Streams	28
2M- Dual Streams	30
2M- Single Stream	30
2M Real time / 3M / 5M- Quad Streams	31
2M Real time / 3M / 5M- Triple Streams	36
2M Real time / 3M / 5M- Dual Streams	39
2M Real time / 3M / 5M- Single Stream	40

1. Overview

The Full HD Multi-Streams Micro Dome IP Camera is an easy setup camera with PoE supported to reduce complicate cabling. Up to 5 Megapixel Resolution is offered for providing high definition images. Quad Streams Compression (H.264 Baseline / Main / High Profile + MJPEG) are supported for efficient bandwidth and storage management. For dark environments, the camera has incorporated WDR, 3DNR and Day/Night ICR technologies to capture clear images in lowlight conditions.

1.1 Features

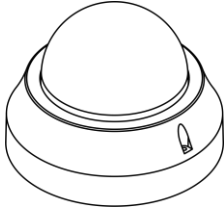
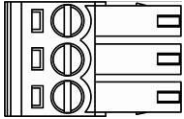
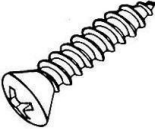

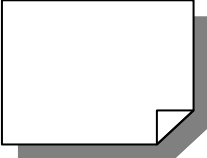

- Progressive Scan CMOS Sensor
- 2M / 3M / 5M Resolution*
- Dual Streaming- Full HD 1080P Real Time + D1 Real Time
- Quad Streams Compression- H.264 Baseline / Main / High Profile + MJPEG
- Multi-language Support
- Tampering Alarm
- Wide Dynamic Range
- Motion Detection
- Privacy Masks
- Smart Picture Quality / 3D Noise Reduction
- Vertical View Mode (image rotation by 90 degrees)
- Smart IR Mode
- Network Failure Detection
- True Day/Night (ICR)
- IR LED Module (working distance up to 25m)*
- microSD Support
- BNC Analog Output*
- Weatherproof (IP66 International)*
- ONVIF Support

(*) Optional

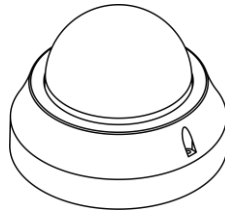
1.2 Package Contents

The package should contain the items listed below. If any item is missing or has defects, please contact the dealer for assistance.

Indoor

 <p>Full HD Multi-Streams Micro Dome IP Camera</p>	 <p>Power Terminal Block</p>
 <p>Self Tapping Screws (x3)</p>	 <p>Plastic Screw Anchors (x3)</p>
 <p>Quick Guide</p>	 <p>CD (bundled software and documentation)</p>

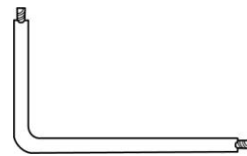
Outdoor



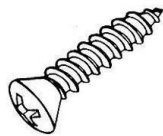
Full HD Multi-Streams
Micro Dome IP Camera



Rubber Washers (x2)



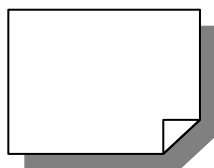
Security Torx



Self Tapping Screws (x3)



Plastic Screw Anchors (x3)



Quick Guide

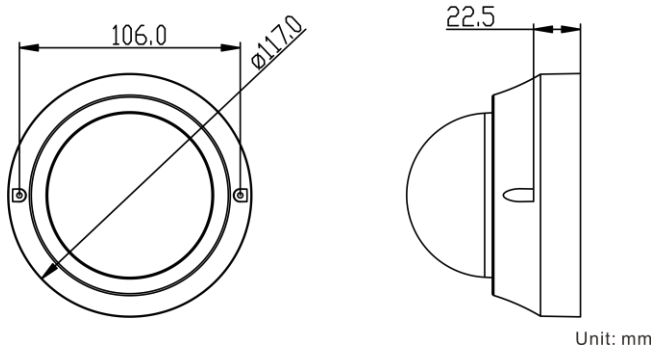
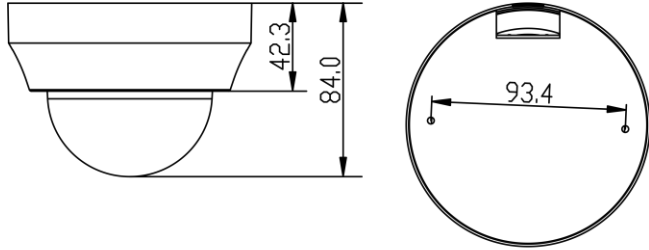


CD
(bundled software and documentation)

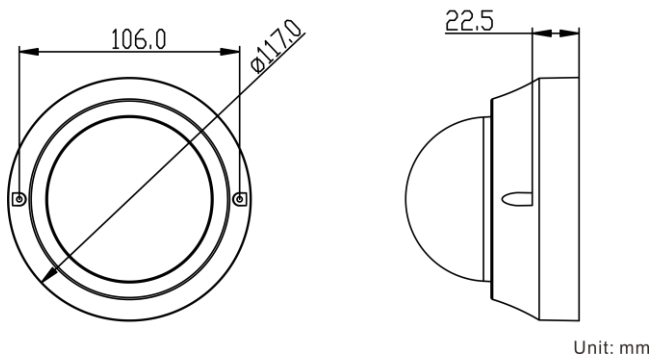
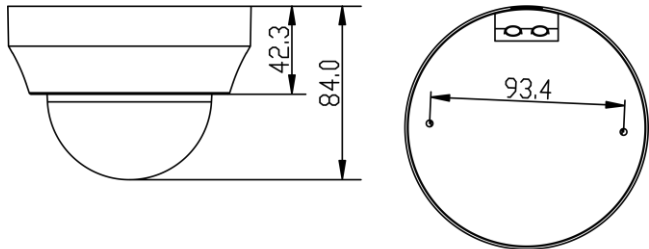
1.3 Dimensions

The dimensions of the IP Camera are shown below.

Indoor

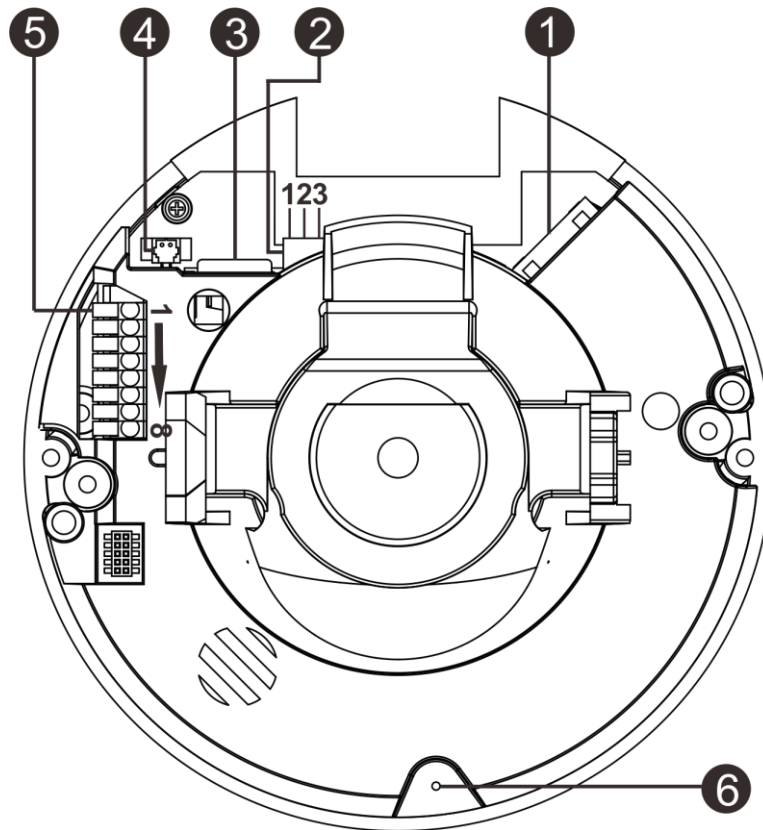


Outdoor



1.4 Connectors (for Indoor Only)

The positions of the IP Camera's connectors are shown in the below diagram. Definition for each connector is also given as follows.



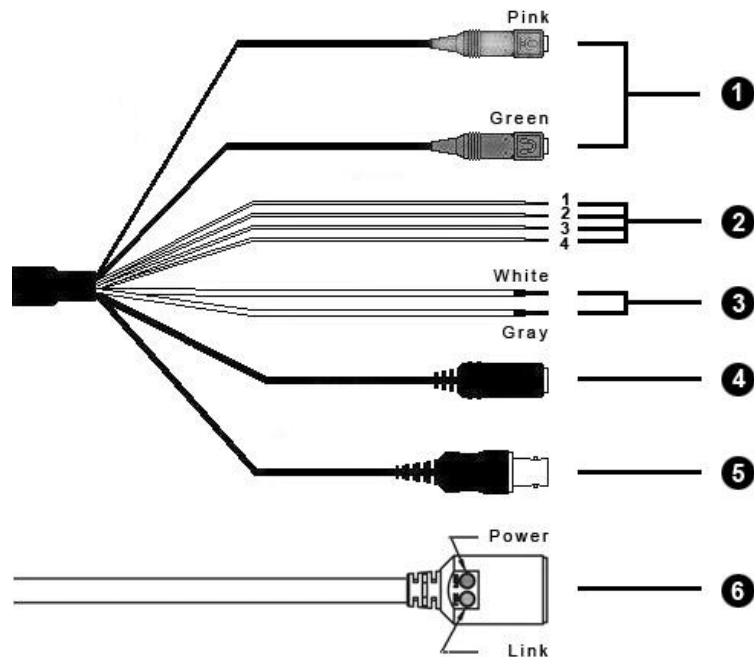
No.	Connector	Pin	Definition	Remarks
1	RJ-45	-	10/100 Mbps Ethernet / PoE	
2	Power (AC 24V / DC 12V)	1	AC 24V: Power-1 DC 12V: Power	Power connection
		2	AC 24V: GND DC 12V: Reserved	
		3	AC 24V: Power-2 DC 12V: GND	
3	microSD Card Slot	-	For video recording storage	
4	Video (BNC Connector)*	-	For analog Video Output	
5	Alarm & Audio I/O	1	Alarm In (-)	Alarm connection
		2	Alarm In (+)	
		3	Alarm Out (-)	
		4	Alarm Out (+)	Line Out
		5	Audio Out (L)	
		6	Audio Out (R)	
		7	GND	
8	Audio In	Line In		
6	Default Button	-	Press the button with one finger to restore the system to factory default settings.	

(*) Optional



NOTE: Insert the SD card into the microSD card slot before powering on the camera. If the camera is already powered on, reboot the camera after the SD card is inserted.

1.5 Function Cable Definition (for Outdoor only)



No.	Connector		Pin	Definition	Remarks
1	Audio I/O		Pink	Line In	Two-way audio transmission
			Green	Line Out	
2	Alarm (4-Pin Terminal Block)		1	Alarm In (-)	Blue
			2	Alarm In (+)	Green
			3	Alarm Out (-)	Yellow
			4	Alarm Out (+)	Orange
3	Power	AC 24V	White	AC 24_1	Power connection
			Gray	AC 24_2	
4	Power DC Jack		-	DC 12V	Power connection
5	BNC		-	For analog Video Output	
6	RJ-45		-	10/100 Mbps Ethernet / PoE	
-	Default Button		-	For the position of the default button, please refer to the diagram shown in the Connectors section. Press the button with one finger to restore the system to factory default settings.	

*If the function cable is used, make sure the color pins are connected correctly.

2. Camera Cabling

Follow the instructions below to complete IP Camera connection.

2.1 Connect Power

For Indoor models, refer to the [Connectors](#) section of the previous chapter for power connection. As for Outdoor models, refer to the [Function Cable Definition](#) section of the previous chapter for power connection. Alternatively, users can use PoE to provide power to the camera. Please use an Ethernet Cable for connection. Refer to the section below to connect the Ethernet Cable.



NOTE: If PoE is used, make sure Power Sourcing Equipment (PSE) is in used in the network.

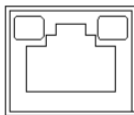
2.2 Connect Ethernet Cable

Use of Category 5 Ethernet Cable is recommended for network / PoE connection. For best transmission quality, cable length shall not exceed 100 meters. Connect one end of the Ethernet Cable to the RJ-45 connector of the IP Camera / Function Cable, and plug the other end of the cable to the network switch or PC.



NOTE: In some cases, Ethernet Crossover Cable might be needed when connecting the camera directly to the PC.

Check the status of the link indicator and activity indicator LEDs. If the LEDs are unlit, please check the LAN connection.

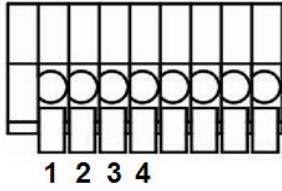


Green Link Light indicates good network connection.

Orange Activity Light flashes for network activity indication.

2.3 Connect Alarm I/O

The camera equips one alarm input and one relay output for alarm application. Refer to the alarm pin definition below to connect alarm devices to the camera.



PIN 1: Alarm In –

PIN 2: Alarm In +

PIN 3: Alarm Out –

PIN 4: Alarm Out +

3. System Requirements

To perform the IP Camera via web browser, please ensure the PC is in good network connection, and meet the system requirements as described below.

Items	System Requirement
Personal Computer	1. Intel® Pentium® M, 2.16 GHz or Intel® Core™2 Duo, 2.0 GHz 2. 2 GB RAM or more
Operating System	Windows VISTA / Windows XP / Windows 7
Web Browser	Microsoft Internet Explorer 6.0 or later Firefox Chrome Safari
Network Card	10Base-T (10 Mbps) or 100Base-TX (100 Mbps) operation
Viewer	ActiveX control plug-in for Microsoft IE

4. Access Camera

For initial access to the IP Camera, users can search the camera through the installer program: DeviceSearch.exe, which can be found in “DeviceSearch” folder in the supplied CD.

Accessing Device Search Software

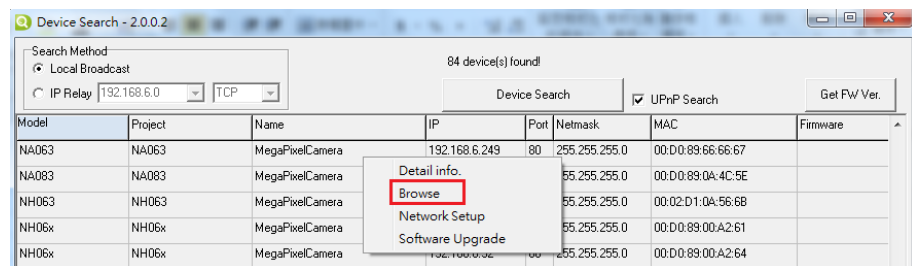
Step 1: Double click on the program Device Search.exe. After its window appears, click on the <Device Search> button on the top side.

Step 2: A security alert window will pop up. Click on <Unblock> to continue.

Device Search

Step 3: Click on <Device Search> again, and all the finding IP devices will be listed in the page. The default IP address of the camera is: **192.168.0.250**.

Step 4: Double click or right click and select <Browse> to access the camera directly via web browser.



Step 5: A login window will pop out. Enter the default username and password shown below to login to the camera.

Login ID	Password
Admin	1234



NOTE: ID and password are case sensitive.



NOTE: It is strongly advised that administrator's password be altered for the security concerns. Refer to [Full HD Multiple Streams IP Camera Menu Tree](#) for further details.

Additionally, users can change the network property of the IP Camera to DHCP or Static IP directly in the device finding list. Refer to the following section for changing the IP Camera's network property.

Example of Changing IP Camera's Network Property

Step 1: In the finding device list, click on the IP Camera that is wished to change its network property. On the selected item, right click and select <Network Setup>. Meanwhile, record the IP Camera's MAC address, for future identification.

Step 2: The Network Setup page will come out. Select <DHCP>, and click on <Apply> down the page.

Step 3: Click on <OK> on the Note of setting change. Wait for one minute to re-search the IP Camera.

Step 4: Click on the <Device Search> button to re-search all the devices. Double click on the IP Camera with the correct MAC address.

Step 5: The login window will come out. Enter username and password to access the IP Camera.

Installing DC Viewer Software Online

For the initial access to the IP Camera, a client program, DC Viewer, will be automatically installed to the PC when connecting to the IP Camera.

If the Web browser doesn't allow DC Viewer installation, please check the Internet security settings or ActiveX controls and plug-ins settings (refer to chapter [Appendix C: Setup Internet Security](#)) to continue the process.

The Information Bar (just below the URL bar) may come out and ask for permission to install the ActiveX Control for displaying video in browser. Right click on the Information Bar and select <Install ActiveX Control...> to allow the installation.

The download procedure of DC Viewer software is specified as follows.

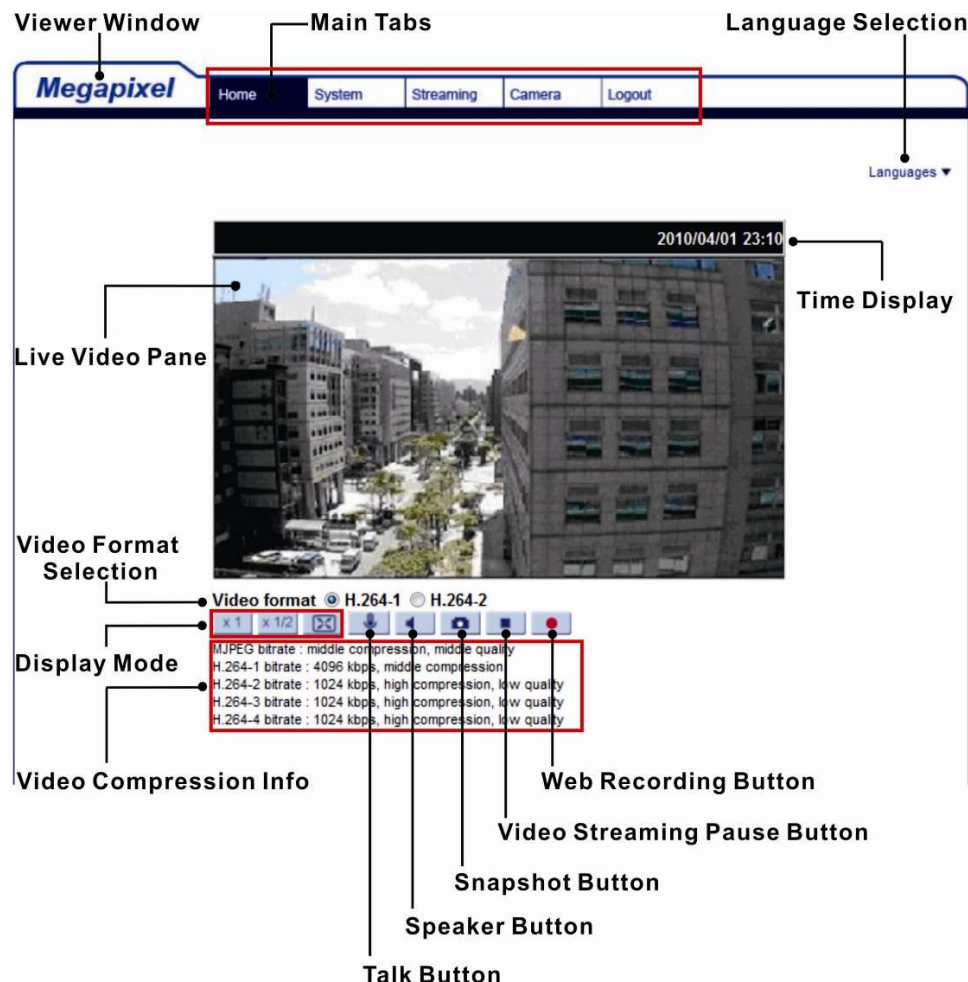
Step 1: In the DC Viewer installation window, click on <Next> to start the installation.

Step 2: A status bar will be displayed to show the installation progress. After the installation is completed, click on <Finish> to exit the installation process.

Step 3: Click on <Finish> to close the DC Viewer installation page.

Once the DC Viewer is successfully installed, the Home page of the IP Camera will be shown as the figure below.

Board Lens / Mini Vari-focal Lens Models



NOTE: Please refer to [Full HD Multiple Streams IP Camera Menu Tree](#) for more button function detail.

5. Setup Video Resolution

Users can setup Video Resolution on the Video Format page of the user-friendly browser-based configuration interface.

Video Format can be found under this path: **Streaming> Video Format**.

The screenshot shows the Megapixel configuration interface. The top navigation bar includes 'Home', 'System', 'Streaming' (highlighted in red), 'Camera', and 'Logout'. The left sidebar contains a list of configuration options: 'Video Format' (highlighted in red), 'Video Compression', 'Video ROI', 'Video OCX Protocol', 'Video Frame Rate', 'Video Mask', and 'Audio'. The main content area is titled 'Video Format' and contains the following sections:

- Video Resolution :** A dropdown menu is set to 'H.264 + H.264'. Below it, 'H.264-1 format' is set to '1920 x 1080 (30 fps)' and 'H.264-2 format' is set to '720 x 480 (30 fps)'. 'BNC support' is set to 'Yes'. A 'Save' button is present.
- Note :** Image attachment by FTP or E-mail will be available only while MJPEG streaming is selected.
- Text Overlay Settings :** Includes checkboxes for 'Include date', 'Include time', and 'Include text string' (with an adjacent text input field). A 'Save' button is present.
- Video Rotate Type :** A dropdown menu is set to 'Normal video'. A 'Save' button is present.
- GOV Settings :** Includes input fields for 'H.264-1 GOV Length' (60), 'H.264-2 GOV Length' (60), 'H.264-3 GOV Length' (30), and 'H.264-4 GOV Length' (30). A 'Save' button is present.
- H.264 Profile :** Includes dropdown menus for 'H.264-1' (Main profile), 'H.264-2' (Main profile), 'H.264-3' (Main profile), and 'H.264-4' (Main profile). A 'Save' button is present.

The default values of the Video Resolution are as below.

2M	H.264- 1920 x 1080 (15 fps) + H.264- 1280 x 720 (30 fps)
2M Real time	
3M	H.264- 1920 x 1080 (30 fps) + H.264- 720 x 480 (30 fps)
5M	

For more Video Resolution combination details, please refer to chapter [Appendix D: Video Resolution](#).

6. Configuration Files Export / Import

To export / import configuration files, users can access the Maintenance page on the user-friendly browser-based configuration interface.

The Maintenance setting can be found under this path: **System> Maintenance**.

Users can export configuration files to a specified location and retrieve data by uploading an existing configuration file to the IP Camera. This is especially convenient to make multiple cameras having the same configuration.

Export

Users can save the system settings by exporting the configuration file (.bin) to a specified location for future use. Click on the <Export> button, and the popup File Download window will come out. Click on <Save> and specify a desired location for saving the configuration file.

Upload

To upload an existing configuration file to the IP Camera, click on <Browse> to select the configuration file, and then click on the <Upload> button for uploading.

Appendix A: Technical Specifications

Camera		2M	2M Real time
Image Sensor		1/2.7" Progressive CMOS	
Effective Pixels		1920 (H) x 1080 (V)	
Minimum Illumination		TBD	
Shutter Speed		1 ~ 1/10000 sec.	
Lens			
Lens		Board / Mini Vari-focal	
Focal Length	Board	2.8 mm / 4.0 mm / 3.6 mm / 6.0 mm / 8.0 mm / 12.0 mm / 16.0 mm	
	Mini Vari-focal	3.0 ~ 6.0 mm	
F Number	Board	2.8 mm- F2.0 / F1.8 / F1.6	
		4.0 mm- F1.8 / F1.5	
		3.6 mm- F1.8	
6.0 mm- F1.6			
8.0 mm- F1.6			
	Mini Vari-focal	3.0 ~ 6.0 mm- F2.0	
Operation			
Multiple Languages		English / French / German / Italian / Japanese / Korean / Portuguese / Russian / Simplified Chinese / Spanish / Traditional Chinese	
Image Setting	Backlight Compensation	On / Off	
	White Balance	Auto / Manual / ATW	
	Noise Reduction (3D)	On / Off	
	Wide Dynamic Range	On / Off	
	Privacy Mask	On / Off	
	Brightness	Manual	
	Exposure	Auto / Manual	
	Sharpness	Manual	
	Contrast	Manual	
	Saturation	Manual	
	Hue	Manual	
	Digital Zoom	Support	
	Motion Detection	On / Off / By Schedule	
	Privacy Mask Type	Color	
	ICR	Auto / On / Off / Smart	
ICR + IR LED*	Auto / LED On / LED Off / Smart IR / Light Sensor		
Tampering Alarm	On / Off / By Schedule		
Audio	Two-way Audio	Line In / Line Out	
	Compression	G.711 / G.726	
Network			
Interface		RJ-45, 10/100 Mbps Ethernet	
Video Compression		H.264 / MJPEG	
Video Streaming		Dual Streams- H.264 + H.264 / H.264 + MJPEG Quad Streams- H.264 x 3 + MJPEG / H.264 x 4	
Video Resolution	H.264	Full HD 1080P / SXGA / HD 720P / XGA / SVGA / D1 / VGA / CIF	
	MJPEG	Full HD 1080P / SXGA / HD 720P / XGA / SVGA / D1 / VGA / CIF	
Frame Rate	Dual Streams	1080P (15/13 fps) + 720P (30/25 fps) 1080P (30/25 fps) + D1 (30/25 fps)	
Protocol		IPv4/v6, TCP/IP, UDP, RTP, RTSP, HTTP, HTTPS, ICMP, FTP, SMTP, DHCP, PPPoE, UPnP, IGMP, SNMP, QoS, ONVIF	
Security / Authorization		HTTPS / IP Filter / IEEE 802.1x	
Alarm	Input	1 Set, 5V 10kΩ pull up	
	Output	1 Set, Photo Relay Output 300V DC/AC	
Event Notification		HTTP / FTP / SMTP	
microSD		microSDHC 32GB support	
Supported Web Browser		Internet Explorer (6.0+) / Chrome / Firefox / Safari	
User Account		20	
Password Levels		User and Administrator	

Mechanical		
Built-in IR Illuminator*	Working Distance	Up to 25 m
	Wavelength	850 nm
	Number of LEDs	24
LED Indicator		Power / Link / ACT
Connectors	Alarm	4 of 8 Pin Terminal Block (Female)
	Power	3 Pin Terminal Block
	Ethernet	RJ-45
	Analog Video	1.0 Vp-p / 75Ω / BNC Cable*
	Audio	4 of 8 Pin Terminal Block (Female)
General		
Operating Temperature		-10°C ~ 50°C (14°F ~ 122°F)
Humidity		10% ~ 90%, No Condensation
Weatherproof Standard*		IP66
Dimension		∅ 117.0 x 84.0 mm (∅ 4.6 x 3.3 in.)
Weight		TBD
Power Source		DC 12V / AC 24V / PoE
Power Consumption	System	3.8 W
	Built-in IR Illuminator	2 W
Regulatory		FCC / EMC / LVD / RoHS

(*) Optional

Camera		3M
Image Sensor		1/3" Progressive CMOS
Effective Pixels		2048 (H) x 1536 (V)
Minimum Illumination		TBD
Shutter Speed		1 ~ 1/10000 sec.
Lens		
Lens		Board / Mini Vari-focal
Focal Length	Board	2.8 mm / 4.0 mm / 3.6 mm / 6.0 mm / 8.0 mm / 12.0 mm / 16.0 mm
	Mini Vari-focal	3.0 ~ 6.0 mm
F Number	Board	2.8 mm- F2.0 / F1.8 / F1.6 4.0 mm- F1.8 / F1.5 3.6 mm- F1.8 6.0 mm- F1.6 8.0 mm- F1.6 12.0 mm- F1.6 16.0 mm- F1.6
	Mini Vari-focal	3.0 ~ 6.0 mm- F2.0
Operation		
Multiple Languages		English / French / German / Italian / Japanese / Korean / Portuguese / Russian / Simplified Chinese / Spanish / Traditional Chinese
Image Setting	Backlight Compensation	On / Off
	White Balance	Auto / Manual / ATW
	Noise Reduction (3D)	On / Off
	Wide Dynamic Range	On / Off
	Privacy Mask	On / Off
	Brightness	Manual
	Exposure	Auto / Manual
	Sharpness	Manual
	Contrast	Manual
	Saturation	Manual
	Hue	Manual
	Digital Zoom	Support
	Motion Detection	On / Off / By Schedule
	Privacy Mask Type	Color
ICR	Auto / On / Off / Smart	
ICR + IR LED*	Auto / LED On / LED Off / Smart IR / Light Sensor	
Tampering Alarm	On / Off / By Schedule	
Audio	Two-way Audio	Line In / Line Out
	Compression	G.711 / G.726
Network		
Interface		RJ-45, 10/100 Mbps Ethernet
Video Compression		H.264 / MJPEG
Video Streaming		Dual Streams- H.264 + H.264 / H.264 + MJPEG Quad Streams- H.264 x 3 + MJPEG / H.264 x 4
Video Resolution	H.264	2048 x 1536 (3M) / Full HD 1080P / SXGA / HD 720P / XGA / SVGA / D1 / VGA / CIF
	MJPEG	Full HD 1080P / SXGA / HD 720P / XGA / SVGA / D1 / VGA / CIF
Frame Rate	Dual Streams	1080P (30/25 fps) + D1 (30/25 fps)
Protocol		IPv4/v6, TCP/IP, UDP, RTP, RTSP, HTTP, HTTPS, ICMP, FTP, SMTP, DHCP, PPPoE, UPnP, IGMP, SNMP, QoS, ONVIF
Security / Authorization		HTTPS / IP Filter / IEEE 802.1x
Alarm	Input	1 Set, 5V 10kΩ pull up
	Output	1 Set, Photo Relay Output 300V DC/AC
Event Notification		HTTP / FTP / SMTP
microSD		microSDHC 32GB support
Supported Web Browser		Internet Explorer (6.0+) / Chrome / Firefox / Safari
User Account		20
Password Levels		User and Administrator

Mechanical		
Built-in IR Illuminator*	Working distance	Up to 25 m
	Wavelength	850 nm
	Number of LEDs	24
LED Indicator		Power / Link / ACT
Connectors	Alarm	4 of 8 Pin Terminal Block (Female)
	Power	3 Pin Terminal Block
	Ethernet	RJ-45
	Analog Video	1.0 Vp-p / 75Ω / BNC Cable*
	Audio	4 of 8 Pin Terminal Block (Female)
General		
Operating Temperature		-10°C ~ 50°C (14°F ~ 122°F)
Humidity		10% ~ 90%, No Condensation
Weatherproof Standard*		IP66
Dimension		∅ 117.0 x 84.0 mm (∅ 4.6 x 3.3 in.)
Weight		TBD
Power Source		DC 12V / AC 24V / PoE
Power	System	3.8 W
Consumption	Built-in IR Illuminator	2 W
Regulatory		FCC / EMC / LVD / RoHS

(*) Optional

Camera		5M
Image Sensor		1/2.5" Progressive CMOS
Effective Pixels		2592 (H) x 1944 (V)
Minimum Illumination		TBD
Shutter Speed		1 ~ 1/10000 sec.
Lens		
Lens		Board
Focal Length		2.8 mm / 4.0 mm / 6.0 mm / 8.0 mm / 12.0 mm / 16.0 mm
F Number		2.8 mm- F2.0 / F1.6 4.0 mm- F1.8 6.0 mm- F1.6 8.0 mm- F1.6 12.0 mm- F1.6 16.0 mm- F1.6
Operation		
Multiple Languages		English / French / German / Italian / Japanese / Korean / Portuguese / Russian / Simplified Chinese / Spanish / Traditional Chinese
Image Setting	Backlight Compensation	On / Off
	White Balance	Auto / Manual / ATW
	Noise Reduction (3D)	On / Off
	Wide Dynamic Range	On / Off
	Privacy Mask	On / Off
	Brightness	Manual
	Exposure	Auto / Manual
	Sharpness	Manual
	Contrast	Manual
	Saturation	Manual
	Hue	Manual
	Digital Zoom	Support
	Motion Detection	On / Off / By Schedule
	Privacy Mask Type	Color
	ICR	Auto / On / Off / Smart
ICR + IR LED*	Auto / LED On / LED Off / Smart IR / Light Sensor	
Tampering Alarm	On / Off / By Schedule	
Audio	Two-way Audio	Line In / Line Out
	Compression	G.711 / G.726
Network		
Interface		RJ-45, 10/100 Mbps Ethernet
Video Compression		H.264 / MJPEG
Video Streaming		Dual Streams- H.264 + H.264 / H.264 + MJPEG Quad Streams- H.264 x 3 + MJPEG / H.264 x 4
Video Resolution	H.264	2592 x 1944 (5M) / 2048 x 1536 (3M) / Full HD 1080P / SXGA / HD 720P / XGA / SVGA / D1 / VGA / CIF
	MJPEG	Full HD 1080P / SXGA / HD 720P / XGA / SVGA / D1 / VGA / CIF
Frame Rate	Dual Streams	1080P (30/25 fps) + D1 (30/25 fps)
Protocol		IPv4/v6, TCP/IP, UDP, RTP, RTSP, HTTP, HTTPS, ICMP, FTP, SMTP, DHCP, PPPoE, UPnP, IGMP, SNMP, QoS, ONVIF
Security / Authorization		HTTPS / IP Filter / IEEE 802.1x
Alarm	Input	1 Set, 5V 10kΩ pull up
	Output	1 Set, Photo Relay Output 300V DC/AC
Event Notification		HTTP / FTP / SMTP
microSD		microSDHC 32GB support
Supported Web Browser		Internet Explorer (6.0+) / Chrome / Firefox / Safari
User Account		20
Password Levels		User and Administrator

Mechanical		
Built-in IR Illuminator*	Working distance	Up to 25 m
	Wavelength	850 nm
	Number of LEDs	24
LED Indicator		Power / Link / ACT
Connectors	Alarm	4 of 8 Pin Terminal Block (Female)
	Power	3 Pin Terminal Block
	Ethernet	RJ-45
	Analog Video	1.0 Vp-p / 75Ω / BNC Cable*
	Audio	4 of 8 Pin Terminal Block (Female)
General		
Operating Temperature		-10°C ~ 50°C (14°F ~ 122°F)
Humidity		10% ~ 90%, No Condensation
Weatherproof Standard*		IP66
Dimension		∅ 117.0 x 84.0 mm (∅ 4.6 x 3.3 in.)
Weight		TBD
Power Source		DC 12V / AC 24V / PoE
Power	System	3.8 W
Consumption	Built-in IR Illuminator	2 W
Regulatory		FCC / EMC / LVD / RoHS

(*) Optional

Appendix B: Delete the Existing DC Viewer

For users who have installed the DC Viewer in the PC previously, please remove the existing DC Viewer from the PC before accessing to the IP Camera.

Deleting the DC Viewer

In the Windows <Start Menu>, activate <Control Panel>, and then double click on <Add or Remove Programs>. In the <Currently installed programs> list, select <DCViewer> and click on the button <Remove> to uninstall the existing DC Viewer.

Deleting Temporary Internet Files

To improve browser performance, it is suggested to clean up all the files in the Temporary Internet Files. The procedure is as follows.

Step 1: In the web browser, clicks on the <Tools> tab on the menu bar and select <Internet Options>.

Step 2: Click on the <Delete> button under <Browsing history> section. In the appeared window tick the box beside the <Temporary Internet files>.

Step 3: Click on <Delete> to start deleting the files.

Appendix C: Setup Internet Security

If ActiveX control installation is blocked, please either set Internet security level to default or change ActiveX controls and plug-ins settings.

Internet Security Level: Default

Step 1: Start the Internet Explorer (IE).

Step 2: Click on the <Tools> tab on the menu bar and select <Internet Options>.

Step 3: Click on the <Security> tab, and select <Internet> zone.

Step 4: Down the page, click on the <Default Level> button and click on <OK> to confirm the setting. Close the browser window, and restart a new one later to access the IP Camera.

ActiveX Controls and Plug-ins Settings

Step 1: Repeat **Steps 1~3** of the previous section above.

Step 2: Down the page, click on the <Custom Level> button to change ActiveX controls and plug-ins settings. The Security Settings window will pop up.

Step 3: Under <ActiveX controls and plug-ins>, set **ALL** items (as listed below) to <Enable> or <Prompt>. Please note that the items vary by IE version.

ActiveX controls and plug-ins settings:

1. Binary and script behaviors.
2. Download signed ActiveX controls.
3. Download unsigned ActiveX controls.
4. Allow previously unused ActiveX controls to run without prompt.
5. Allow Scriptlets.
6. Automatic prompting for ActiveX controls.
7. Initialize and script ActiveX controls not marked as safe for scripting.
8. Run ActiveX controls and plug-ins.
9. Only allow approved domains to use ActiveX without prompt.
10. Script ActiveX controls marked safe for scripting*.
11. Display video and animation on a webpage that does not use external media player.

Step 4: Click on <OK> to accept the settings. A prompt window will appear for confirming the setting changes, click <Yes(Y)> to close the Security Setting window.

Step 5: Click on <OK> to close the Internet Options screen.

Step 6: Close the browser window, and restart a new one later to access the IP Camera.

Appendix D: Video Resolution

2M- Quad Streams

H.264 + H.264 + H.264 + H.264 / MJPEG				
H.264-1	H.264-2	H.264-3	H.264-4 / MJPEG	
1920 x 1080 (15 fps)	1280 x 1024 (15 fps)	720 x 480 (15 fps)	352 x 240 (30 fps)	
		640 x 480 (15 fps)	352 x 240 (30 fps)	
		352 x 240 (30 fps)	352 x 240 (30 fps)	
	1280 x 720 (15 fps)	800 x 600 (15 fps)	720 x 480 (15 fps)	720 x 480 (15 fps)
			640 x 480 (15 fps)	640 x 480 (15 fps)
			352 x 240 (30 fps)	352 x 240 (30 fps)
			352 x 240 (30 fps)	352 x 240 (30 fps)
		720 x 480 (15 fps)	720 x 480 (15 fps)	720 x 480 (15 fps)
			640 x 480 (15 fps)	640 x 480 (15 fps)
			352 x 240 (30 fps)	352 x 240 (30 fps)
			352 x 240 (30 fps)	352 x 240 (30 fps)
	1024 x 768 (15 fps)	800 x 600 (15 fps)	720 x 480 (15 fps)	720 x 480 (15 fps)
			640 x 480 (15 fps)	640 x 480 (15 fps)
			352 x 240 (30 fps)	352 x 240 (30 fps)
			352 x 240 (30 fps)	352 x 240 (30 fps)
		720 x 480 (15 fps)	720 x 480 (15 fps)	720 x 480 (15 fps)
			640 x 480 (15 fps)	640 x 480 (15 fps)
			352 x 240 (30 fps)	352 x 240 (30 fps)
			352 x 240 (30 fps)	352 x 240 (30 fps)
	800 x 600 (15 fps)	800 x 600 (15 fps)	720 x 480 (15 fps)	720 x 480 (15 fps)
			640 x 480 (15 fps)	640 x 480 (15 fps)
			352 x 240 (30 fps)	352 x 240 (30 fps)
		720 x 480 (15 fps)	720 x 480 (15 fps)	720 x 480 (15 fps)
			640 x 480 (15 fps)	640 x 480 (15 fps)
			352 x 240 (30 fps)	352 x 240 (30 fps)
	800 x 600 (30 fps)	800 x 600 (30 fps)	720 x 480 (30 fps)	720 x 480 (30 fps)
			640 x 480 (30 fps)	640 x 480 (30 fps)
			352 x 240 (30 fps)	352 x 240 (30 fps)
	720 x 480 (15 fps)	720 x 480 (15 fps)	720 x 480 (15 fps)	720 x 480 (15 fps)
			640 x 480 (15 fps)	640 x 480 (15 fps)
352 x 240 (30 fps)			352 x 240 (30 fps)	
720 x 480 (30 fps)	720 x 480 (30 fps)	720 x 480 (30 fps)	720 x 480 (30 fps)	
		640 x 480 (30 fps)	640 x 480 (30 fps)	
		352 x 240 (30 fps)	352 x 240 (30 fps)	
640 x 480 (30 fps)	640 x 480 (30 fps)	640 x 480 (30 fps)	640 x 480 (30 fps)	
		352 x 240 (30 fps)	352 x 240 (30 fps)	
352 x 240 (30 fps)	352 x 240 (30 fps)	352 x 240 (30 fps)	352 x 240 (30 fps)	
		352 x 240 (30 fps)	352 x 240 (30 fps)	

H.264 + H.264 + H.264 + H.264 / MJPEG				
H.264-1	H.264-2	H.264-3	H.264-4 / MJPEG	
1280 x 1024 (15 fps)	1280 x 1024 (15 fps)	1280 x 720 (15 fps)	720 x 480 (30 fps)	
			640 x 480 (30 fps)	
			352 x 240 (30 fps)	
		1280 x 1024 (15 fps)	800 x 600 (15 fps)	720 x 480 (30 fps)
				640 x 480 (30 fps)
			800 x 600 (30 fps)	352 x 240 (30 fps)
			720 x 480 (15 fps)	720 x 480 (30 fps)
			720 x 480 (30 fps)	640 x 480 (30 fps)
	640 x 480 (30 fps)		640 x 480 (30 fps)	
			352 x 240 (30 fps)	
	352 x 240 (30 fps)	352 x 240 (30 fps)		
	1280 x 720 (15 fps)	1280 x 720 (15 fps)	1280 x 720 (15 fps)	720 x 480 (30 fps)
				640 x 480 (30 fps)
				352 x 240 (30 fps)
		800 x 600 (30 fps)	800 x 600 (30 fps)	720 x 480 (30 fps)
				640 x 480 (30 fps)
				352 x 240 (30 fps)
		720 x 480 (30 fps)	720 x 480 (30 fps)	720 x 480 (30 fps)
				640 x 480 (30 fps)
	640 x 480 (30 fps)	640 x 480 (30 fps)	640 x 480 (30 fps)	
			352 x 240 (30 fps)	
	1280 x 720 (30 fps)	1280 x 720 (30 fps)	352 x 240 (30 fps)	352 x 240 (30 fps)
	1024 x 768 (15 fps)	1024 x 768 (15 fps)	800 x 600 (30 fps)	720 x 480 (30 fps)
				640 x 480 (30 fps)
			720 x 480 (30 fps)	720 x 480 (30 fps)
				640 x 480 (30 fps)
	1024 x 768 (30 fps)	1024 x 768 (30 fps)	720 x 480 (30 fps)	352 x 240 (30 fps)
			640 x 480 (30 fps)	352 x 240 (30 fps)
			352 x 240 (30 fps)	352 x 240 (30 fps)
	800 x 600 (15 fps)	800 x 600 (15 fps)	800 x 600 (30 fps)	720 x 480 (30 fps)
	800 x 600 (30 fps)	800 x 600 (30 fps)	800 x 600 (30 fps)	640 x 480 (30 fps)
				352 x 240 (30 fps)
720 x 480 (30 fps)				
720 x 480 (30 fps)		720 x 480 (30 fps)	720 x 480 (30 fps)	640 x 480 (30 fps)
				352 x 240 (30 fps)
				640 x 480 (30 fps)
720 x 480 (30 fps)	720 x 480 (30 fps)	720 x 480 (30 fps)	720 x 480 (30 fps)	
			640 x 480 (30 fps)	
		640 x 480 (30 fps)	640 x 480 (30 fps)	640 x 480 (30 fps)
				352 x 240 (30 fps)
640 x 480 (30 fps)	640 x 480 (30 fps)	640 x 480 (30 fps)	640 x 480 (30 fps)	
			352 x 240 (30 fps)	
1280 x 1024 (30 fps)	800 x 600 (30 fps)	352 x 240 (30 fps)	352 x 240 (30 fps)	
	720 x 480 (30 fps)	352 x 240 (30 fps)	352 x 240 (30 fps)	
	640 x 480 (30 fps)	352 x 240 (30 fps)	352 x 240 (30 fps)	
	352 x 240 (30 fps)	352 x 240 (30 fps)	352 x 240 (30 fps)	

H.264 + H.264 + H.264 + H.264 / MJPEG					
H.264-1	H.264-2	H.264-3	H.264-4 / MJPEG		
1280 x 720 (15 fps)	1280 x 720 (15 fps)	1280 x 720 (15 fps)	720 x 480 (30 fps)		
			640 x 480 (30 fps)		
		1280 x 720 (30 fps)	352 x 240 (30 fps)		
		800 x 600 (30 fps)	720 x 480 (30 fps)		
			640 x 480 (30 fps)		
		720 x 480 (30 fps)	720 x 480 (30 fps)		
		640 x 480 (30 fps)			
	1280 x 720 (30 fps)	1280 x 720 (30 fps)	800 x 600 (30 fps)	352 x 240 (30 fps)	
			720 x 480 (30 fps)	352 x 240 (30 fps)	
			640 x 480 (30 fps)	352 x 240 (30 fps)	
			352 x 240 (30 fps)	352 x 240 (30 fps)	
	1024 x 768 (15 fps)	1024 x 768 (15 fps)	800 x 600 (30 fps)	720 x 480 (30 fps)	
				640 x 480 (30 fps)	
	1024 x 768 (30 fps)	1024 x 768 (30 fps)	800 x 600 (30 fps)	352 x 240 (30 fps)	
			720 x 480 (30 fps)	720 x 480 (30 fps)	
				640 x 480 (30 fps)	
		800 x 600 (30 fps)	800 x 600 (30 fps)	720 x 480 (30 fps)	352 x 240 (30 fps)
					640 x 480 (30 fps)
				640 x 480 (30 fps)	352 x 240 (30 fps)
	1280 x 720 (30 fps)	1024 x 768 (30 fps)	352 x 240 (30 fps)	352 x 240 (30 fps)	
		800 x 600 (30 fps)	800 x 600 (30 fps)	720 x 480 (30 fps)	352 x 240 (30 fps)
640 x 480 (30 fps)				352 x 240 (30 fps)	
352 x 240 (30 fps)				352 x 240 (30 fps)	
720 x 480 (30 fps)		720 x 480 (30 fps)	720 x 480 (30 fps)	720 x 480 (30 fps)	
				640 x 480 (30 fps)	
				352 x 240 (30 fps)	
			640 x 480 (30 fps)	640 x 480 (30 fps)	
				352 x 240 (30 fps)	
640 x 480 (30 fps)		640 x 480 (30 fps)	640 x 480 (30 fps)	640 x 480 (30 fps)	
				352 x 240 (30 fps)	
			352 x 240 (30 fps)	352 x 240 (30 fps)	
352 x 240 (30 fps)	352 x 240 (30 fps)	352 x 240 (30 fps)	352 x 240 (30 fps)		
1024 x 768 (15 fps)	1024 x 768 (15 fps)	800 x 600 (30 fps)	720 x 480 (30 fps)		
			640 x 480 (30 fps)		
	1024 x 768 (30 fps)	1024 x 768 (30 fps)	800 x 600 (30 fps)	352 x 240 (30 fps)	
			720 x 480 (30 fps)	720 x 480 (30 fps)	
				640 x 480 (30 fps)	
	800 x 600 (30 fps)	800 x 600 (30 fps)	640 x 480 (30 fps)	352 x 240 (30 fps)	
				640 x 480 (30 fps)	
			800 x 600 (30 fps)	720 x 480 (30 fps)	
		640 x 480 (30 fps)			

H.264 + H.264 + H.264 + H.264 / MJPEG					
H.264-1	H.264-2	H.264-3	H.264-4 / MJPEG		
1024 x 768 (30 fps)	1024 x 768 (30 fps)	640 x 480 (30 fps)	352 x 240 (30 fps)		
		352 x 240 (30 fps)	352 x 240 (30 fps)		
	800 x 600 (30 fps)	800 x 600 (30 fps)	800 x 600 (30 fps)	352 x 240 (30 fps)	
			720 x 480 (30 fps)	720 x 480 (30 fps)	
				640 x 480 (30 fps)	
		640 x 480 (30 fps)	640 x 480 (30 fps)	640 x 480 (30 fps)	
			352 x 240 (30 fps)	352 x 240 (30 fps)	
	720 x 480 (30 fps)	720 x 480 (30 fps)	720 x 480 (30 fps)	720 x 480 (30 fps)	
			640 x 480 (30 fps)	640 x 480 (30 fps)	
		640 x 480 (30 fps)	640 x 480 (30 fps)	640 x 480 (30 fps)	
			352 x 240 (30 fps)	352 x 240 (30 fps)	
	640 x 480 (30 fps)	640 x 480 (30 fps)	640 x 480 (30 fps)		
		352 x 240 (30 fps)	352 x 240 (30 fps)		
	800 x 600 (30 fps)	800 x 600 (30 fps)	800 x 600 (30 fps)	352 x 240 (30 fps)	
720 x 480 (30 fps)			720 x 480 (30 fps)	720 x 480 (30 fps)	
			640 x 480 (30 fps)	640 x 480 (30 fps)	
			352 x 240 (30 fps)	352 x 240 (30 fps)	
720 x 480 (30 fps)		720 x 480 (30 fps)	720 x 480 (30 fps)	720 x 480 (30 fps)	
			640 x 480 (30 fps)	640 x 480 (30 fps)	
		640 x 480 (30 fps)	640 x 480 (30 fps)	640 x 480 (30 fps)	
			352 x 240 (30 fps)	352 x 240 (30 fps)	
640 x 480 (30 fps)		640 x 480 (30 fps)	640 x 480 (30 fps)		
		352 x 240 (30 fps)	352 x 240 (30 fps)		
720 x 480 (30 fps)		720 x 480 (30 fps)	720 x 480 (30 fps)	720 x 480 (30 fps)	
			640 x 480 (30 fps)	640 x 480 (30 fps)	640 x 480 (30 fps)
				352 x 240 (30 fps)	352 x 240 (30 fps)
				352 x 240 (30 fps)	352 x 240 (30 fps)
	640 x 480 (30 fps)	640 x 480 (30 fps)	640 x 480 (30 fps)		
		352 x 240 (30 fps)	352 x 240 (30 fps)		
	352 x 240 (30 fps)	352 x 240 (30 fps)	352 x 240 (30 fps)		
		352 x 240 (30 fps)	352 x 240 (30 fps)		
	640 x 480 (30 fps)	640 x 480 (30 fps)	640 x 480 (30 fps)	640 x 480 (30 fps)	
			352 x 240 (30 fps)	352 x 240 (30 fps)	
		352 x 240 (30 fps)	352 x 240 (30 fps)	352 x 240 (30 fps)	
			352 x 240 (30 fps)	352 x 240 (30 fps)	
	352 x 240 (30 fps)	352 x 240 (30 fps)	352 x 240 (30 fps)		

2M- Triple Streams

H.264-1 + H.264-2 + H.264-3 / MJPEG		
H.264-1	H.264-2	H.264-3 / MJPEG
1920 x 1080 (15 fps)	1280 x 1024 (15 fps)	800 x 600 (15 fps)
		720 x 480 (15 fps)
		640 x 480 (15 fps)
		352 x 240 (30 fps)
	1280 x 720 (15 fps)	1280 x 720 (15 fps)
		800 x 600 (15 fps)
		720 x 480 (30 fps)
		640 x 480 (30 fps)
	1024 x 768 (15 fps)	352 x 240 (30 fps)
		800 x 600 (30 fps)
	1024 x 768 (30 fps)	720 x 480 (30 fps)
		640 x 480 (30 fps)
	800 x 600 (30 fps)	800 x 600 (30 fps)
		720 x 480 (30 fps)
640 x 480 (30 fps)		
720 x 480 (30 fps)	352 x 240 (30 fps)	
	720 x 480 (30 fps)	
	640 x 480 (30 fps)	
640 x 480 (30 fps)	352 x 240 (30 fps)	
	640 x 480 (30 fps)	
352 x 240 (30fps)	352 x 240 (30fps)	
1280 x 1024 (15 fps)	1280 x 1024 (15 fps)	1280 x 720 (15 fps)
		800 x 600 (30 fps)
		720 x 480 (30 fps)
		640 x 480 (30 fps)
		352 x 240 (30 fps)
	1280 x 720 (15 fps)	1280 x 720 (15 fps)
		800 x 600 (30 fps)
	1280 x 720 (30 fps)	720 x 480 (30 fps)
		640 x 480 (30 fps)
		352 x 240 (30 fps)
	1024 x 768 (30 fps)	800 x 600 (30 fps)
		720 x 480 (30 fps)
		640 x 480 (30 fps)
		352 x 240 (30 fps)
800 x 600 (30 fps)	800 x 600 (30 fps)	
	720 x 480 (30 fps)	
	640 x 480 (30 fps)	
720 x 480 (30 fps)	720 x 480 (30 fps)	
800 x 600 (30 fps)	352 x 240 (30 fps)	
1280 x 1024 (30 fps)	720 x 480 (30 fps)	640 x 480 (30 fps)
		352 x 240 (30 fps)
	640 x 480 (30 fps)	640 x 480 (30 fps)
		352 x 240 (30 fps)
	352 x 240 (30 fps)	352 x 240 (30 fps)
1280 x 720 (15 fps)	1280 x 720 (15 fps)	1280 x 720 (30 fps)
	1280 x 720 (30 fps)	800 x 600 (30 fps)
		720 x 480 (30 fps)
		640 x 480 (30 fps)
	1024 x 768 (30 fps)	800 x 600 (30 fps)
		720 x 480 (30 fps)
640 x 480 (30 fps)	640 x 480 (30 fps)	

H.264-1 + H.264-2 + H.264-3 / MJPEG			
H.264-1	H.264-2	H.264-3 / MJPEG	
1280 x 720 (30 fps)	1280 x 720 (30 fps)	352 x 240 (30 fps)	
	1024 x 768 (30 fps)	352 x 240 (30 fps)	
	800 x 600 (30 fps)	800 x 600 (30 fps)	800 x 600 (30 fps)
			720 x 480 (30 fps)
			640 x 480 (30 fps)
			352 x 240 (30 fps)
	720 x 480 (30 fps)	720 x 480 (30 fps)	720 x 480 (30 fps)
			640 x 480 (30 fps)
352 x 240 (30 fps)			
640 x 480 (30 fps)	640 x 480 (30 fps)	640 x 480 (30 fps)	
		352 x 240 (30 fps)	
352 x 240 (30 fps)	352 x 240 (30 fps)	352 x 240 (30 fps)	
1024 x 768 (15 fps)	1024 x 768 (30 fps)	800 x 600 (30 fps)	
1024 x 768 (30 fps)	1024 x 768 (30 fps)	720 x 480 (30 fps)	
		640 x 480 (30 fps)	
		352 x 240 (30 fps)	
	800 x 600 (30 fps)	800 x 600 (30 fps)	800 x 600 (30 fps)
			720 x 480 (30 fps)
			640 x 480 (30 fps)
			352 x 240 (30 fps)
	720 x 480 (30 fps)	720 x 480 (30 fps)	720 x 480 (30 fps)
			640 x 480 (30 fps)
			352 x 240 (30 fps)
	640 x 480 (30 fps)	640 x 480 (30 fps)	640 x 480 (30 fps)
			352 x 240 (30 fps)
352 x 240 (30 fps)	352 x 240 (30 fps)	352 x 240 (30 fps)	
800 x 600 (30 fps)	800 x 600 (30 fps)	800 x 600 (30 fps)	
		720 x 480 (30 fps)	
		640 x 480 (30 fps)	
		352 x 240 (30 fps)	
	720 x 480 (30 fps)	720 x 480 (30 fps)	
720 x 480 (30 fps)	720 x 480 (30 fps)	640 x 480 (30 fps)	
		352 x 240 (30 fps)	
		640 x 480 (30 fps)	
		352 x 240 (30 fps)	
640 x 480 (30 fps)	640 x 480 (30 fps)	640 x 480 (30 fps)	
		352 x 240 (30 fps)	
		352 x 240 (30 fps)	
352 x 240 (30 fps)	352 x 240 (30 fps)	352 x 240 (30 fps)	

2M- Dual Streams

H.264-1 + H.264-2 / MJPEG		
H.264-1	H.264-2 / MJPEG	BNC SUPPORT
1920 x 1080 (15 fps)	1280 x 1024 (15 fps)	-
	1280 x 720 (30 fps)	-
	1024 x 768 (30 fps)	-
	800 x 600 (30 fps)	-
	720 x 480 (30 fps)	√
	640 x 480 (30 fps)	√
	352 x 240 (30 fps)	√
1280 x 1024 (30 fps)	1280 x 1024 (15 fps)	√
	1280 x 720 (15 fps)	-
	1024 x 768 (15 fps)	-
	800 x 600 (30 fps)	-
	720 x 480 (30 fps)	√
	640 x 480 (30 fps)	√
1280 x 720 (30 fps)	352 x 240 (30 fps)	√
	1280 x 720 (30 fps)	√
	1024 x 768 (30 fps)	-
	800 x 600 (30 fps)	-
	720 x 480 (30 fps)	√
	640 x 480 (30 fps)	√
1024 x 768 (30 fps)	352 x 240 (30 fps)	√
	1024 x 768 (30 fps)	√
	800 x 600 (30 fps)	-
	720 x 480 (30 fps)	√
	640 x 480 (30 fps)	√
800 x 600 (30 fps)	352 x 240 (30 fps)	√
	800 x 600 (30 fps)	√
	720 x 480 (30 fps)	√
	640 x 480 (30 fps)	√
720 x 480 (30 fps)	352 x 240 (30 fps)	√
	720 x 480 (30 fps)	√
	640 x 480 (30 fps)	√
640 x 480 (30 fps)	640 x 480 (30 fps)	√
	352 x 240 (30 fps)	√
352 x 240 (30 fps)	352 x 240 (30 fps)	-

2M- Single Stream

H.264 Only	BNC SUPPORT
1920 x 1080 (15 fps) Low Latency	-
1920 x 1080 (15 fps)	√
1280 x 1024 (30 fps)	√
1280 x 720 (30 fps)	√
1024 x 768 (30 fps)	√
800 x 600 (30 fps)	√
720 x 480 (30 fps)	√
640 x 480 (30 fps)	√
352 x 240 (30 fps)	-

MJPEG Only	BNC SUPPORT
1920 x 1080 (15 fps)	√
1280 x 1024 (30 fps)	√
1280 x 720 (30 fps)	√
1024 x 768 (30 fps)	√
800 x 600 (30 fps)	√
720 x 480 (30 fps)	√
640 x 480 (30 fps)	√
352 x 240 (30 fps)	-

2M Real time / 3M / 5M- Quad Streams

H.264 + H.264 + H.264 + H.264 / MJPEG			
H.264-1	H.264-2	H.264-3	H.264-4 / MJPEG
2592 x 1944 (12 fps)	720 x 480 (12 fps)	720 x 480 (12 fps)	352 x 240 (12 fps)
		640 x 480 (12 fps)	640 x 480 (12 fps)
		352 x 240 (12 fps)	352 x 240 (12 fps)
	640 x 480 (12 fps)	640 x 480 (12 fps)	640 x 480 (12 fps)
		640 x 480 (12 fps)	352 x 240 (12 fps)
		352 x 240 (12 fps)	352 x 240 (12 fps)

*The resolution is for 5M Model only.

H.264 + H.264 + H.264 + H.264 / MJPEG					
H.264-1	H.264-2	H.264-3	H.264-4 / MJPEG		
2048 x 1536 (15 fps)	1280 x 720 (15 fps)	720 x 480 (15 fps)	640 x 480 (15 fps)		
			352 x 240 (15 fps)		
		640 x 480 (15 fps)	640 x 480 (15 fps)		
	800 x 600 (15 fps)	800 x 600 (15 fps)	352 x 240 (15 fps)	352 x 240 (15 fps)	
			800 x 600 (15 fps)	720 x 480 (15 fps)	
				640 x 480 (15 fps)	
		720 x 480 (15 fps)	720 x 480 (15 fps)		352 x 240 (15 fps)
					640 x 480 (15 fps)
					640 x 480 (15 fps)
			640 x 480 (15 fps)	640 x 480 (15 fps)	640 x 480 (15 fps)
				352 x 240 (15 fps)	352 x 240 (15 fps)
				352 x 240 (15 fps)	352 x 240 (15 fps)
	720 x 480 (15 fps)	720 x 480 (15 fps)	720 x 480 (15 fps)	720 x 480 (15 fps)	
				640 x 480 (15 fps)	
				352 x 240 (15 fps)	
		640 x 480 (15 fps)	640 x 480 (15 fps)	640 x 480 (15 fps)	
			352 x 240 (15 fps)	352 x 240 (15 fps)	
			352 x 240 (15 fps)	352 x 240 (15 fps)	
	640 x 480 (15 fps)	640 x 480 (15 fps)	640 x 480 (15 fps)	640 x 480 (15 fps)	
				352 x 240 (15 fps)	
				352 x 240 (15 fps)	
	352 x 240 (15 fps)	352 x 240 (15 fps)	352 x 240 (15 fps)	352 x 240 (15 fps)	
				352 x 240 (15 fps)	
				352 x 240 (15 fps)	

*The resolution is for 3M & 5M Model only.

H.264 + H.264 + H.264 + H.264 / MJPEG				
H.264-1	H.264-2	H.264-3	H.264-4 / MJPEG	
1920 x 1080 (15 fps)	1280 x 1024 (15 fps)	1280 x 720 (15 fps)	720 x 480 (15 fps)	
			640 x 480 (15 fps)	
			352 x 240 (30 fps)	
		800 x 600 (15 fps)	720 x 480 (30 fps)	
			640 x 480 (30 fps)	
			352 x 240 (30 fps)	
		800 x 600 (30 fps)	720 x 480 (30 fps)	
			640 x 480 (30 fps)	
		720 x 480 (15 fps)	720 x 480 (30 fps)	
			640 x 480 (30 fps)	
		720 x 480 (30 fps)	640 x 480 (30 fps)	
			352 x 240 (30 fps)	
		640 x 480 (30 fps)	640 x 480 (30 fps)	
			352 x 240 (30 fps)	
	352 x 240 (30 fps)	352 x 240 (30 fps)		
		352 x 240 (30 fps)		
	1280 x 720 (15 fps)	1280 x 720 (15 fps)	1280 x 720 (15 fps)	720 x 480 (30 fps)
				640 x 480 (30 fps)
				352 x 240 (30 fps)
		800 x 600 (30 fps)	800 x 600 (30 fps)	720 x 480 (30 fps)
				640 x 480 (30 fps)
				352 x 240 (30 fps)
		720 x 480 (30 fps)	720 x 480 (30 fps)	720 x 480 (30 fps)
				640 x 480 (30 fps)
		640 x 480 (30 fps)	640 x 480 (30 fps)	640 x 480 (30 fps)
				640 x 480 (30 fps)
	1280 x 720 (30 fps)	1280 x 720 (30 fps)	720 x 480 (30 fps)	
			640 x 480 (30 fps)	
			352 x 240 (30 fps)	
	1024 x 768 (15 fps)	1024 x 768 (15 fps)	800 x 600 (30 fps)	720 x 480 (30 fps)
				640 x 480 (30 fps)
		720 x 480 (30 fps)	720 x 480 (30 fps)	640 x 480 (30 fps)
640 x 480 (30 fps)				
1024 x 768 (30 fps)	1024 x 768 (30 fps)	800 x 600 (30 fps)		
		720 x 480 (30 fps)		
		640 x 480 (30 fps)		
		352 x 240 (30 fps)		
800 x 600 (30 fps)	800 x 600 (30 fps)	800 x 600 (30 fps)	720 x 480 (30 fps)	
			640 x 480 (30 fps)	
			352 x 240 (30 fps)	
	720 x 480 (30 fps)	720 x 480 (30 fps)	720 x 480 (30 fps)	
			640 x 480 (30 fps)	
			352 x 240 (30 fps)	
	640 x 480 (30 fps)	640 x 480 (30 fps)	640 x 480 (30 fps)	
			352 x 240 (30 fps)	
	352 x 240 (30 fps)	352 x 240 (30 fps)	352 x 240 (30 fps)	
			352 x 240 (30 fps)	
720 x 480 (30 fps)	720 x 480 (30 fps)	720 x 480 (30 fps)	720 x 480 (30 fps)	
			640 x 480 (30 fps)	
			352 x 240 (30 fps)	
	640 x 480 (30 fps)	640 x 480 (30 fps)	640 x 480 (30 fps)	
			352 x 240 (30 fps)	
	352 x 240 (30 fps)	352 x 240 (30 fps)	352 x 240 (30 fps)	
352 x 240 (30 fps)				
640 x 480 (30 fps)	640 x 480 (30 fps)	640 x 480 (30 fps)		
		352 x 240 (30 fps)		
1920 x 1080 (30 fps)	352 x 240 (30 fps)	352 x 240 (30 fps)	352 x 240 (30 fps)	

H.264 + H.264 + H.264 + H.264 / MJPEG				
H.264-1	H.264-2	H.264-3	H.264-4 / MJPEG	
1280 x 1024 (15 fps)	1280 x 1024 (15 fps)	1280 x 720 (15 fps)	720 x 480 (30 fps)	
			640 x 480 (30 fps)	
		1280 x 720 (30 fps)	352 x 240 (30 fps)	
		800 x 600 (30 fps)	720 x 480 (30 fps)	
			640 x 480 (30 fps)	
			352 x 240 (30 fps)	
	720 x 480 (30 fps)	720 x 480 (30 fps)		
		640 x 480 (30 fps)		
		640 x 480 (30 fps)		
	640 x 480 (30 fps)	720 x 480 (30 fps)		
		640 x 480 (30 fps)		
		352 x 240 (30 fps)		
	1280 x 1024 (30 fps)	1280 x 1024 (30 fps)	720 x 480 (30 fps)	
			640 x 480 (30 fps)	
			352 x 240 (30 fps)	
	1280 x 720 (15 fps)	1280 x 720 (30 fps)	720 x 480 (30 fps)	
			640 x 480 (30 fps)	
			352 x 240 (30 fps)	
	1280 x 1024 (15 fps)	1280 x 720 (30 fps)	800 x 600 (30 fps)	
			720 x 480 (30 fps)	720 x 480 (30 fps)
				640 x 480 (30 fps)
				352 x 240 (30 fps)
			640 x 480 (30 fps)	640 x 480 (30 fps)
				352 x 240 (30 fps)
352 x 240 (30 fps)				
1024 x 768 (30 fps)		800 x 600 (30 fps)	720 x 480 (30 fps)	
			640 x 480 (30 fps)	
			352 x 240 (30 fps)	
		720 x 480 (30 fps)	720 x 480 (30 fps)	
			640 x 480 (30 fps)	
	352 x 240 (30 fps)			
800 x 600 (30 fps)	800 x 600 (30 fps)	720 x 480 (30 fps)		
		640 x 480 (30 fps)		
		640 x 480 (30 fps)		
1280 x 1024 (30 fps)	1024 x 768 (30 fps)	352 x 240 (30 fps)		
	800 x 600 (30 fps)	800 x 600 (30 fps)		
		720 x 480 (30 fps)		
		640 x 480 (30 fps)		
		352 x 240 (30 fps)		
	720 x 480 (30 fps)	720 x 480 (30 fps)	720 x 480 (30 fps)	
			640 x 480 (30 fps)	
			352 x 240 (30 fps)	
		640 x 480 (30 fps)	640 x 480 (30 fps)	
			352 x 240 (30 fps)	
			352 x 240 (30 fps)	
	640 x 480 (30 fps)	640 x 480 (30 fps)	640 x 480 (30 fps)	
352 x 240 (30 fps)				
352 x 240 (30 fps)	352 x 240 (30 fps)			
1280 x 720 (15 fps)	1280 x 720 (15 fps)	1280 x 720 (30 fps)		
		640 x 480 (30 fps)		
	1280 x 720 (30 fps)	1280 x 720 (30 fps)		
		800 x 600 (30 fps)		
		720 x 480 (30 fps)		
		640 x 480 (30 fps)		
	1024 x 768 (30 fps)	800 x 600 (30 fps)	720 x 480 (30 fps)	
			640 x 480 (30 fps)	

H.264 + H.264 + H.264 + H.264 / MJPEG				
H.264-1	H.264-2	H.264-3	H.264-4 / MJPEG	
1280 x 720 (30 fps)	1280 x 720 (30 fps)	800 x 600 (30 fps)	352 x 240 (30 fps)	
		720 x 480 (30 fps)	352 x 240 (30 fps)	
		640 x 480 (30 fps)	352 x 240 (30 fps)	
		352 x 240 (30 fps)	352 x 240 (30 fps)	
	1024 x 768 (30 fps)	800 x 600 (30 fps)	800 x 600 (30 fps)	352 x 240 (30 fps)
			720 x 480 (30 fps)	720 x 480 (30 fps)
			640 x 480 (30 fps)	640 x 480 (30 fps)
		720 x 480 (30 fps)	640 x 480 (30 fps)	352 x 240 (30 fps)
			352 x 240 (30 fps)	352 x 240 (30 fps)
			352 x 240 (30 fps)	352 x 240 (30 fps)
	800 x 600 (30 fps)	800 x 600 (30 fps)	800 x 600 (30 fps)	720 x 480 (30 fps)
			720 x 480 (30 fps)	640 x 480 (30 fps)
			640 x 480 (30 fps)	352 x 240 (30 fps)
		720 x 480 (30 fps)	720 x 480 (30 fps)	352 x 240 (30 fps)
			640 x 480 (30 fps)	352 x 240 (30 fps)
			352 x 240 (30 fps)	352 x 240 (30 fps)
	640 x 480 (30 fps)	640 x 480 (30 fps)	640 x 480 (30 fps)	
		352 x 240 (30 fps)	352 x 240 (30 fps)	
		352 x 240 (30 fps)	352 x 240 (30 fps)	
	1024 x 768 (30 fps)	1024 x 768 (30 fps)	800 x 600 (30 fps)	720 x 480 (30 fps)
			720 x 480 (30 fps)	640 x 480 (30 fps)
			640 x 480 (30 fps)	352 x 240 (30 fps)
			352 x 240 (30 fps)	352 x 240 (30 fps)
		800 x 600 (30 fps)	800 x 600 (30 fps)	800 x 600 (30 fps)
720 x 480 (30 fps)				640 x 480 (30 fps)
640 x 480 (30 fps)				352 x 240 (30 fps)
720 x 480 (30 fps)			720 x 480 (30 fps)	352 x 240 (30 fps)
			640 x 480 (30 fps)	352 x 240 (30 fps)
			352 x 240 (30 fps)	352 x 240 (30 fps)
720 x 480 (30 fps)		720 x 480 (30 fps)	720 x 480 (30 fps)	720 x 480 (30 fps)
			640 x 480 (30 fps)	640 x 480 (30 fps)
			352 x 240 (30 fps)	352 x 240 (30 fps)
		640 x 480 (30 fps)	640 x 480 (30 fps)	640 x 480 (30 fps)
			352 x 240 (30 fps)	352 x 240 (30 fps)
			352 x 240 (30 fps)	352 x 240 (30 fps)
352 x 240 (30 fps)		352 x 240 (30 fps)	640 x 480 (30 fps)	
		352 x 240 (30 fps)	352 x 240 (30 fps)	
		352 x 240 (30 fps)	352 x 240 (30 fps)	
		352 x 240 (30 fps)	352 x 240 (30 fps)	

H.264 + H.264 + H.264 + H.264 / MJPEG				
H.264-1	H.264-2	H.264-3	H.264-4 / MJPEG	
800 x 600 (30 fps)	800 x 600 (30 fps)	800 x 600 (30 fps)	352 x 240 (30 fps)	
		720 x 480 (30 fps)	720 x 480 (30 fps)	720 x 480 (30 fps)
			640 x 480 (30 fps)	640 x 480 (30 fps)
		720 x 480 (30 fps)	640 x 480 (30 fps)	352 x 240 (30 fps)
	640 x 480 (30 fps)		352 x 240 (30 fps)	352 x 240 (30 fps)
			720 x 480 (30 fps)	720 x 480 (30 fps)
	640 x 480 (30 fps)		640 x 480 (30 fps)	640 x 480 (30 fps)
	640 x 480 (30 fps)	352 x 240 (30 fps)	352 x 240 (30 fps)	352 x 240 (30 fps)
		352 x 240 (30 fps)	640 x 480 (30 fps)	640 x 480 (30 fps)
			720 x 480 (30 fps)	720 x 480 (30 fps)
		352 x 240 (30 fps)	352 x 240 (30 fps)	352 x 240 (30 fps)
	720 x 480 (30 fps)	720 x 480 (30 fps)	720 x 480 (30 fps)	720 x 480 (30 fps)
640 x 480 (30 fps)			640 x 480 (30 fps)	640 x 480 (30 fps)
			352 x 240 (30 fps)	352 x 240 (30 fps)
640 x 480 (30 fps)			640 x 480 (30 fps)	640 x 480 (30 fps)
		352 x 240 (30 fps)	352 x 240 (30 fps)	352 x 240 (30 fps)
			720 x 480 (30 fps)	720 x 480 (30 fps)
		352 x 240 (30 fps)	352 x 240 (30 fps)	352 x 240 (30 fps)
640 x 480 (30 fps)		640 x 480 (30 fps)	640 x 480 (30 fps)	640 x 480 (30 fps)
	352 x 240 (30 fps)		352 x 240 (30 fps)	
	352 x 240 (30 fps)	352 x 240 (30 fps)	352 x 240 (30 fps)	
352 x 240 (30 fps)	352 x 240 (30 fps)	352 x 240 (30 fps)	352 x 240 (30 fps)	

2M Real time / 3M / 5M- Triple Streams

H.264-1 + H.264-2 + H.264-3 / MJPEG		
H.264-1	H.264-2	H.264-3 / MJPEG
2592 x 1944 (12 fps)	720 x 480 (12 fps)	720 x 480 (12 fps)
		640 x 480 (12 fps)
		352 x 240 (12 fps)
	640 x 480 (12 fps)	640 x 480 (12 fps)
		352 x 240 (12 fps)

*The resolution is for 5M Model only.

H.264-1 + H.264-2 + H.264-3 / MJPEG			
H.264-1	H.264-2	H.264-3 / MJPEG	
2048 x 1536 (15 fps)	1280 x 720 (15 fps)	720 x 480 (15 fps)	
		640 x 480 (15 fps)	
		352 x 240 (15 fps)	
	800 x 600 (15 fps)	800 x 600 (15 fps)	800 x 600 (15 fps)
			720 x 480 (15 fps)
			640 x 480 (15 fps)
	720 x 480 (15 fps)	720 x 480 (15 fps)	352 x 240 (15 fps)
			720 x 480 (15 fps)
			640 x 480 (15 fps)
	640 x 480 (15 fps)	640 x 480 (15 fps)	352 x 240 (15 fps)
			640 x 480 (15 fps)
	352 x 240 (15 fps)	352 x 240 (15 fps)	

*The resolution is for 3M & 5M Model only.

H.264-1 + H.264-2 + H.264-3 / MJPEG			
H.264-1	H.264-2	H.264-3 / MJPEG	
1920 x 1080 (15 fps)	1280 x 1024 (15 fps)	1280 x 720 (15 fps)	
		800 x 600 (30 fps)	
		720 x 480 (30 fps)	
		640 x 480 (30 fps)	
		352 x 240 (30 fps)	
	1280 x 720 (15 fps)	1280 x 720 (30 fps)	1280 x 720 (30 fps)
			800 x 600 (30 fps)
	1280 x 720 (30 fps)	1280 x 720 (30 fps)	720 x 480 (30 fps)
			640 x 480 (30 fps)
			352 x 240 (30 fps)
	1024 x 768 (30 fps)	1024 x 768 (30 fps)	800 x 600 (30 fps)
			720 x 480 (30 fps)
			640 x 480 (30 fps)
			352 x 240 (30 fps)
	800 x 600 (30 fps)	800 x 600 (30 fps)	800 x 600 (30 fps)
			720 x 480 (30 fps)
			640 x 480 (30 fps)
			352 x 240 (30 fps)
	720 x 480 (30 fps)	720 x 480 (30 fps)	720 x 480 (30 fps)
			640 x 480 (30 fps)
			352 x 240 (30 fps)
640 x 480 (30 fps)	640 x 480 (30 fps)	640 x 480 (30 fps)	
		352 x 240 (30 fps)	
1920 x 1080 (30 fps)	352 x 240 (30 fps)	352 x 240 (30 fps)	

H.264-1 + H.264-2 + H.264-3 / MJPEG			
H.264-1	H.264-2	H.264-3 / MJPEG	
1280 x 1024 (15 fps)	1280 x 1024 (15 fps)	1280 x 720 (30 fps)	
		800 x 600 (30 fps)	
	1280 x 1024 (30 fps)	720 x 480 (30 fps)	
		640 x 480 (30 fps)	
	1280 x 720 (15 fps)	1280 x 720 (30 fps)	352 x 240 (30 fps)
			1280 x 720 (30 fps)
1280 x 720 (30 fps)	1280 x 720 (30 fps)	800 x 600 (30 fps)	
		720 x 480 (30 fps)	
1024 x 768 (30 fps)	1024 x 768 (30 fps)	640 x 480 (30 fps)	
		800 x 600 (30 fps)	
1280 x 1024 (30 fps)	1280 x 720 (30 fps)	720 x 480 (30 fps)	
		352 x 240 (30 fps)	
	1024 x 768 (30 fps)	1024 x 768 (30 fps)	640 x 480 (30 fps)
			352 x 240 (30 fps)
	800 x 600 (30 fps)	800 x 600 (30 fps)	800 x 600 (30 fps)
			720 x 480 (30 fps)
			640 x 480 (30 fps)
	720 x 480 (30 fps)	720 x 480 (30 fps)	640 x 480 (30 fps)
			352 x 240 (30 fps)
			352 x 240 (30 fps)
640 x 480 (30 fps)	640 x 480 (30 fps)	640 x 480 (30 fps)	
		352 x 240 (30 fps)	
352 x 240 (30 fps)	352 x 240 (30 fps)	352 x 240 (30 fps)	
1280 x 720 (15 fps)	1280 x 720 (30 fps)	1280 x 720 (30 fps)	
1280 x 720 (30 fps)	1280 x 720 (30 fps)	800 x 600 (30 fps)	
		720 x 480 (30 fps)	
		640 x 480 (30 fps)	
		352 x 240 (30 fps)	
	1024 x 768 (30 fps)	1024 x 768 (30 fps)	800 x 600 (30 fps)
			720 x 480 (30 fps)
			640 x 480 (30 fps)
			352 x 240 (30 fps)
	800 x 600 (30 fps)	800 x 600 (30 fps)	800 x 600 (30 fps)
			720 x 480 (30 fps)
			640 x 480 (30 fps)
			352 x 240 (30 fps)
	720 x 480 (30 fps)	720 x 480 (30 fps)	720 x 480 (30 fps)
			640 x 480 (30 fps)
352 x 240 (30 fps)			
352 x 240 (30 fps)			
640 x 480 (30 fps)	640 x 480 (30 fps)	640 x 480 (30 fps)	
		352 x 240 (30 fps)	
352 x 240 (30 fps)	352 x 240 (30 fps)	352 x 240 (30 fps)	
1024 x 768 (30 fps)	1024 x 768 (30 fps)	800 x 600 (30 fps)	
		720 x 480 (30 fps)	
		640 x 480 (30 fps)	
		352 x 240 (30 fps)	
	800 x 600 (30 fps)	800 x 600 (30 fps)	800 x 600 (30 fps)
			720 x 480 (30 fps)
			640 x 480 (30 fps)
	720 x 480 (30 fps)	720 x 480 (30 fps)	352 x 240 (30 fps)
			720 x 480 (30 fps)
			640 x 480 (30 fps)
640 x 480 (30 fps)	640 x 480 (30 fps)	352 x 240 (30 fps)	
		640 x 480 (30 fps)	
352 x 240 (30 fps)	352 x 240 (30 fps)	352 x 240 (30 fps)	

H.264-1 + H.264-2 + H.264-3 / MJPEG			
H.264-1	H.264-2	H.264-3 / MJPEG	
800 x 600 (30 fps)	800 x 600 (30 fps)	800 x 600 (30 fps)	
		720 x 480 (30 fps)	
		640 x 480 (30 fps)	
		352 x 240 (30 fps)	
	720 x 480 (30 fps)	720 x 480 (30 fps)	720 x 480 (30 fps)
			640 x 480 (30 fps)
			352 x 240 (30 fps)
			352 x 240 (30 fps)
640 x 480 (30 fps)	640 x 480 (30 fps)	640 x 480 (30 fps)	
		352 x 240 (30 fps)	
		352 x 240 (30 fps)	
		352 x 240 (30 fps)	
352 x 240 (30 fps)	352 x 240 (30 fps)	352 x 240 (30 fps)	

2M Real time / 3M / 5M- Dual Streams

H.264-1 + H.264-2 / MJPEG		
H.264-1	H.264-2 / MJPEG	BNC SUPPORT
2592 x 1944 (12 fps)	720 x 480 (12 fps)	-
	640 x 480 (12 fps)	-
	352 x 240 (12 fps)	-

*The resolution is for 5M Model only.

H.264-1 + H.264-2 / MJPEG		
H.264-1	H.264-2 / MJPEG	BNC SUPPORT
2048 x 1536 (15 fps)	1280 x 720 (15 fps)	-
	800 x 600 (15 fps)	-
	720 x 480 (15 fps)	-
	640 x 480 (15 fps)	-
	352 x 240 (15 fps)	-

*The resolution is for 3M & 5M Model only.

H.264-1 + H.264-2 / MJPEG		
H.264-1	H.264-2 / MJPEG	BNC SUPPORT
1920 x 1080 (15 fps)	1920 x 1080 (15 fps)	√
	1280 x 1024 (30 fps)	-
	1280 x 720 (30 fps)	-
	1024 x 768 (30 fps)	-
	800 x 600 (30 fps)	-
1920 x 1080 (30 fps)	720 x 480 (30 fps)	√
	640 x 480 (30 fps)	√
	352 x 240 (30 fps)	√
1280 x 1024 (30 fps)	1280 x 1024 (15 fps)	√
	1280 x 720 (30 fps)	-
	1024 x 768 (30 fps)	-
	800 x 600 (30 fps)	-
	720 x 480 (30 fps)	√
	640 x 480 (30 fps)	√
1280 x 720 (30 fps)	352 x 240 (30 fps)	√
	1280 x 720 (30 fps)	√
	1024 x 768 (30 fps)	-
	800 x 600 (30 fps)	-
	720 x 480 (30 fps)	√
1024 x 768 (30 fps)	640 x 480 (30 fps)	√
	352 x 240 (30 fps)	√
	1024 x 768 (30 fps)	√
	800 x 600 (30 fps)	-
	720 x 480 (30 fps)	√
800 x 600 (30 fps)	640 x 480 (30 fps)	√
	352 x 240 (30 fps)	√
	800 x 600 (30 fps)	√
	720 x 480 (30 fps)	√
720 x 480 (30 fps)	640 x 480 (30 fps)	√
	352 x 240 (30 fps)	√
	720 x 480 (30 fps)	√
640 x 480 (30 fps)	640 x 480 (30 fps)	√
	352 x 240 (30 fps)	√
352 x 240 (30 fps)	352 x 240 (30 fps)	-

2M Real time / 3M / 5M- Single Stream

H.264 Only	BNC SUPPORT
2592 x 1944 (12 fps)*	-
2048 x 1536 (15 fps)**	-
1920 x 1080 (30 fps) Low Latency***	-
1920 x 1080 (30 fps)	√
1280 x 1024 (30 fps)	√
1280 x 720 (30 fps)	√
1024 x 768 (30 fps)	√
800 x 600 (30 fps)	√
720 x 480 (30 fps)	√
640 x 480 (30 fps)	√
352 x 240 (30 fps)	-

* The resolution is for 5M Model only.

** The resolution is for 3M & 5M Model only.

*** 1920 x 1080 (30 fps) Low Latency does not support BNC, 3DNR, Motion Detection and digital zoom.

MJPEG Only	BNC SUPPORT
1920 x 1080 (30 fps)	√
1280 x 1024 (30 fps)	√
1280 x 720 (30 fps)	√
1024 x 768 (30 fps)	√
800 x 600 (30 fps)	√
720 x 480 (30 fps)	√
640 x 480 (30 fps)	√
352 x 240 (30 fps)	-