

DynaHawk™ Z6 Series

Multiple Streams Ultra High Definition Box IP Camera



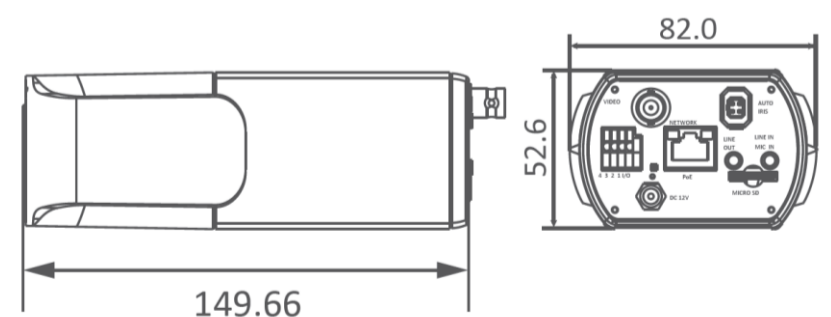
network DynaHawk Z6 series Multiple Streams Ultra High Definition Box IP Cameras utilize SONY high class CMOS sensor, Z6 offers up to 4MP resolution in real-time frame rate with Hyper Dynamic Range (HDR) function, that provides extraordinarily image in high lighting contrast environment.

With state-of-the-art encoder SOC, Z6 is capable of streaming out 4M Presolution real-time with SVGA real-time sub streaming. While multiple Region of Interest (ROI), 3D Noise Reduction are also supported with 4MP streaming for different application scenarios, Z6 only requires low consumption power that saves the expense for users.

Besides flexible software features, Z6 is built-in with Auto Back Focus (ABF) function. User can simply adjust focus by clicking control buttons on webpage that makes focus adjustment easier under 4MP resolution and also makes remote focus tuning available after installation.

■ Key Features

- 4MP / 3MP Progressive Scan CMOS Sensor
- 4MP @ 30fps + SVGA @ 30 fps or 3MP @ 30fps + SXGA @ 30fps
- Specific ARM for Analytics Hardware Acceleration
- Quad Streams Compression- H.264 Baseline / Main / High Profile + MJPEG
- Multiple and Dynamic ROI Windows
- Auto Back Focus (ABF)
- 3D Motion Compensated Noise Reduction (MCTF)
- Text Overlay and Privacy Masks
- microSD Support
- BNC analog output
- Triple Power Support- PoE / DC12V / AC24V
- ONVIF Support



Unit: (mm)

DynaHawk™ Z6 Series - Ultra High Definition Box IP Camera

Camera		Z2SD-6	Z2V6-6
Image Sensor		1/2.8" Sony Progressive CMOS	1/3" Progressive CMOS
Effective Pixels		3M (2048x1536)	4M (2688x1520)
Shutter Speed		1 - 1/10000 sec.	
Operation			
Multiple Languages		English / French / German / Italian / Japanese / Korean / Portuguese / Russian / Simplified Chinese / Spanish / Traditional Chinese	
Image Setting	Backlight Compensation	On / Off (w/ Motion Compensation)	
	White Balance	Manual / AWB / ATW	
	3D Noise Reduction	On / Off	
	Wide Dynamic Range	Shutter WDR On / Off	
	Privacy Mask	On / Off	
	Brightness	Manual	
	Exposure	Auto / Manual	
	Sharpness	Manual	
	Contrast	Manual	
	Saturation	Manual	
	Hue	Manual	
	Digital Zoom	Support	
	Motion Detection	On / Off / By Schedule	
	Privacy Mask Type	Color	
ICR	Auto / LED On / LED Off / Smart IR / Light Sensor		
Tampering Alarm	On / Off / By Schedule		
Audio	Two-way Audio	Line in / Line Out	
	Compression	G.711/G.726	
Auto Back Focus		Support	
Network			
Interface		RJ-45, 1Gbps Ethernet	
Video Compression		MJPEG / H.264 (MPEG-4 Part 10/AVC) Baseline / Main Profile / High Profile	
Video Streaming	Dual	H.264 3M @25/30 fps + H.264 SXGA @25/30 fps Note: 1 of the 2M or under streamings can be MJPEG	H.264 4M @25/30 fps + H.264 SVGA @25/30 fps Note: 1 of the 2M or under streamings can be MJPEG
	Quad	H.264 3M @25/30 fps + H.264 720P @25/30 fps + H.264 D1 @25/30 fps + H.264 CIF @25/30 fps Note: 1 of the 2M or under streamings can be MJPEG	H.264 4M @25/30 fps + H.264 VGA @25/30 fps + H.264 CIF @25/30 fps + H.264 CIF @25/30 fps Note: 1 of the 2M or under streamings can be MJPEG
Video Resolution		H.264 - 3M (2048x1536) / Full HD 1080P / SXGA / 720P / XGA / SVGA / D1 / VGA / CIF / QVGA MJPEG - Full HD 1080P / SXGA / 720P / XGA / SVGA / D1 / VGA / CIF / QVGA	H.264 - 4M (2688x1520) / Full HD 1080P / SXGA / 720P / XGA / SVGA / D1 / VGA / CIF / QVGA MJPEG - Full HD 1080P / SXGA / 720P / XGA / SVGA / D1 / VGA / CIF / QVGA
Video Windows under ePTZ		4	
Video Analytic Engine		Edge Embedded (Camera Side)	
Protocol		ARP, IPv4/v6, TCP/IP, UDP, RTP, RTSP, HTTP, HTTPS, ICMP, FTP, SMTP, DHCP, PPPoE, UPnP, IGMP, SNMP, QoS, ONVIF	
Security		HTTPS / IP Filter / IEEE 802.1X	
Alarm	Input	1 Set 5V 10kΩ pull up	
	Output	1 Set Photo Relay Output 300V DC/AC	
Event Notification		HTTP / FTP / SMTP	
Micro SD		microSDXC 64GB support	
Supported Web Browser		Internet Explorer (6.0+) / Chrome / Firefox / Safari	
User Account		20	
Password Levels		User and Administrator	
Mechanical			
Lens Mounting		CS Mount	
LED Indicator		Power / Link / ACT	
Connectors	Auto Iris	DC Drive	
	Alarm	4 Pin Terminal Block, Pitch 3.5 mm	
	Power	DC jack or 2pin Terminal Block	
	Ethernet	RJ-45	
	Analog Video	1.0 Vp-p / 75 Ω, BNC	
Audio		Line in / Line Out	
General			
Operating Temperature		-10°C ~ 50°C (14° ~ 122° F)	
Humidity		10% ~ 90%, No Condensation	
Dimension		149.66 x 79.73 x 52.57 mm (L x W x H) w/o Lens	
Weight		395g (0.87 lb) w/o lens	
Power Source		DC 12V / AC 24V / PoE	
Power Consumption		TBD	
Regulatory		CE / FCC	

Product specification and availability are subject to change without notice.



DYNACOLOR, INC.

No. 116, Jou Tz Street, Neihu, Taipei 114, Taiwan

TEL: (886)2-2659-8898

FAX: (886)2-2659-8868

<http://www.dynacolor.com.tw>

info@dynacolor.com.tw