

DYNACOLOR

Rugged Dome Series

DR-68VA2P / DR-68VA2N

1/3" COLOR 480TVL, 2X VARI-FOCAL, 2.0 LUX

Features

- 1/3" Sony Super HAD CCD
- Heavy-duty ,weather-proof & vandal proof with IP 66 standard
- Flexible AC 24V/12VDC dual power sources

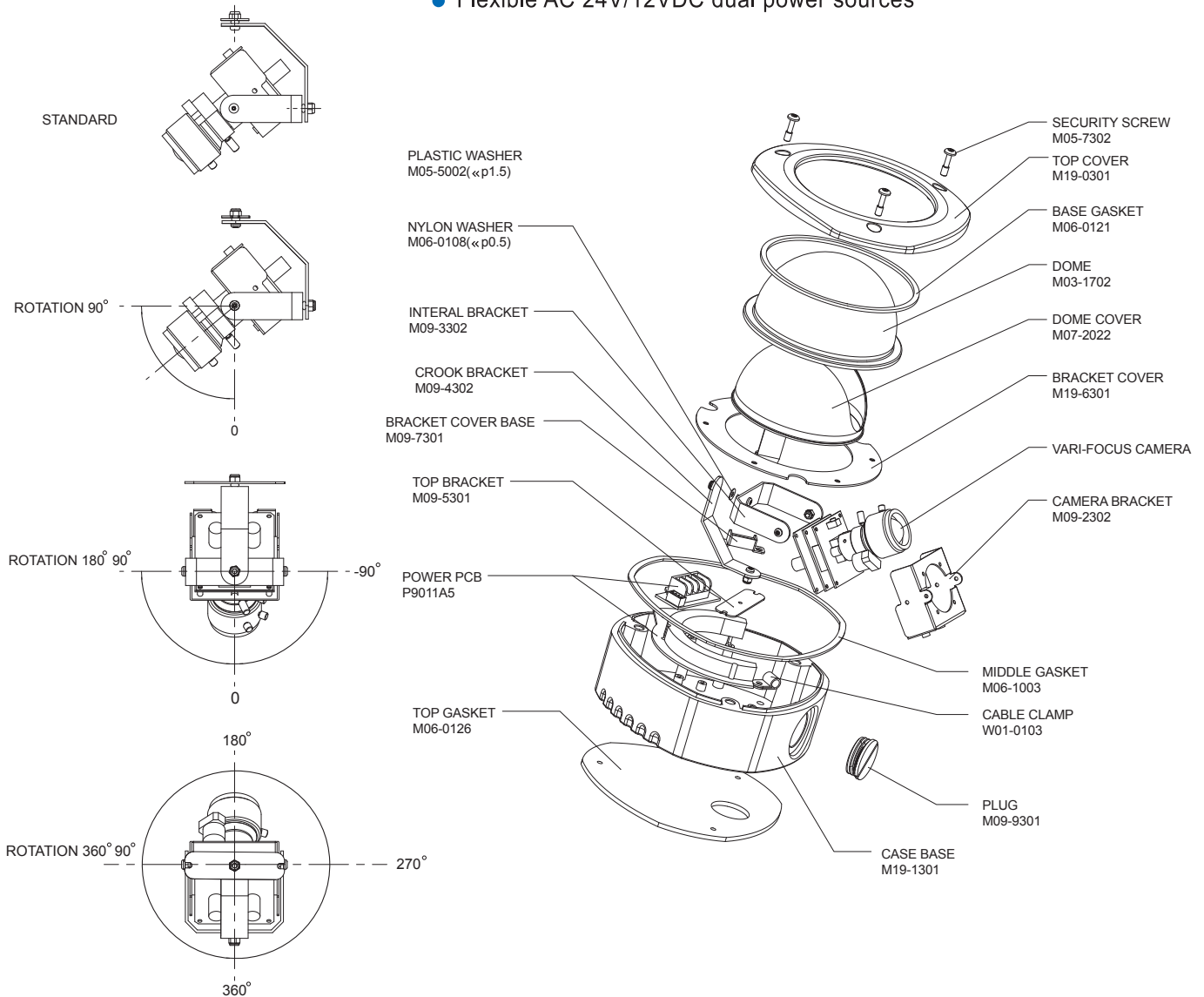


DR-Q4HVC2P / DR-Q4HVC2N

1/4" DAY/NIGHT EXVIEW 480TVL, 2X VARI-FOCAL, 0.2 LUX

Features

- 1/4" full range Sony Exview HAD CCD
- True color performance in the day time, no focus shift in the night time
- Heavy-duty ,weather-proof & vandal proof with IP 66 standard
- Flexible AC 24V/12VDC dual power sources



Specifications

Model	DR-68VA2-P / DR-68VA2-N	DR-Q4HVC2P / DR-Q4HVC2N
Image device	1/3" Interline Transfer Sony Super HAD CCD	1/4" Interline Transfer SONY EXVIEW HAD CCD
Picture elements	PAL: 795(H)x596(V) NTSC: 811(H)x508(V)	PAL: 795(H)x596(V) NTSC: 811(H)x508(V)
Scanning system	PAL: 625 Lines, 2:1 Interlace NTSC: 525 Lines, 2:1 Interlace	
Sync system	DC Internal lock / AC Line-lock	
Horizontal resolution	480 TV lines	
Minimum illumination	2 lux at F1.6 (30 IRE, AGC ON)	0.2 lux at F1.4 (30 IRE, AGC ON)
Day/Night change level adj.	—	0.1 ~ 9 Lux
Day/Night change delay time	—	6 ~ 60 sec
Focal length	3.5~8mm	2.8~5.8mm
Iris range	F1.6	F1.4
S/N ratio	Better than 48dB	
Auto iris mode	PAL: 1/50 sec NTSC: 1/60 sec.	
Auto iris lens type	DC Drive	
White balance	ATW2500°K~9500°K	
Backlight compensation	Auto Detect; Histogram plus 225 areas windows weight	
Video output signal	BNC, 1.0 V p-p at 75 Ω load	
Operating temperature	-10°C to 50°C	
Power source	AC 24V / DC 12V	
Power consumption	3.5W	
Dimensions (φ x H)	φ 149mm x H 102mm	

Lens Options

DR-68VA2P  A Lens Options

Lens model	Lens option
A	3.5~8mm F1.6
B	9~22mm F2.0

Dimensions

