

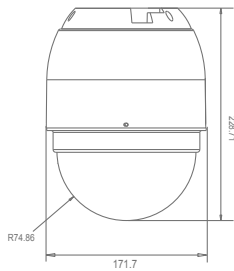
High Speed Dome Camera

network DynaHawk™ 720 / 820 Series



Dimension

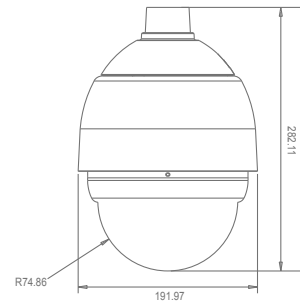
NH720 Full HD Speed Dome IP Camera



Unit: (mm)

Dimension

NH820 Full HD Speed Dome IP Camera



Unit: (mm)

Features

Superior Camera Image Quality

- NEW** • Sony Progressive Scan CMOS Sensor
- NEW** • Full HD 1080P resolution
- NEW** • Dual streams, Full HD real-time + D1 real-time
 - H.264 Main profile and MJPEG compression
- NEW** • Up to 20x optical zoom
 - Electronic Shutter
- NEW** • Wide Dynamic Range
 - Auto White Balance
 - AGC control
 - Backlight Compensation
 - Auto Exposure
 - Image Inverse
 - Removable IR Cut Filter
- NEW** • Digital Noise Reduction

Precise and Accurate Dome Camera Performance

- Preset speed up to 400°/sec.
- Preset resolution of 0.225°
- NEW** • Proportional Pan & Tilt Speed
 - Preset Position / Auto-Pan / Sequence / Cruise
 - Auto-Calibration
 - Digital / Mechanical Image Flip (180°)

Dynamic Dome Camera Applications

- Schedule function
- Up to 16 Privacy Masks
- 4 digital alarm inputs, 2 digital alarm outputs
- Motion Detection
- NEW** • Flexible indoor / outdoor mountings
 - Weatherproof (IP66 international)
- NEW** • High Power over Ethernet (IEEE 802.3at)

Specification

Item	18N1	20N1
Camera		
Image Sensor	1/2.8" Sony Progressive Scan CMOS	
Optical Zoom	18×	20×
Digital Zoom	1× ~ 8× variable	
Focal Length	4.7 ~ 84.6 mm	4.7 ~ 94 mm
Focus Mode	Auto / Manual	
White Balance	Auto / Indoor / Outdoor / ATW	
Iris Control	Auto / Manual	
Electronic Shutter	1/30 ~ 1/10k sec.	
AGC Control	Auto / Manual	
Backlight Compensation	On / Off	
Operation		
Pan Travel	360° endless	
Tilt Travel	-10° ~ 190°	
Manual Speed	0.5° ~ 90°/s	
Presets	256	
Preset Resolution	0.225°	
Preset Speed	5° ~ 400°/s	
Sequence	8	
Auto-Pan	4	
Cruise	8	
Privacy Mask	16	
Proportional Pan & Tilt	On / Off (Pan and tilt speed is proportional to zoom ratio)	
Resume after Power Loss	Yes	
Zone Title	16	
Home Function	Preset, Sequence, Auto-Pan, Cruise	
Auto-Flip	Digital / Mechanical / Off	
Motion Detection	On / Off	
Wide Dynamic Range	On / Off	
Day/Night (ICR)	Auto / Manual	
Image Freeze	On / Off	
Image Inverse	On / Off	
Digital Noise Reduction	2D 3D	On / Off On / Off
Network		
Video Compression	H.264 Main Profile and MJPEG	
Video Streaming	Multiple streams, H.264 + MJPEG / H.264 + H.264	
Video Resolution	1080P / 720P / VGA / D1	
Frame Rate	30 / 25 fps @ 1080P 60 / 50 fps @ 720P	
Audio Compression	G711 / G.726 ADPCM/AAC	
Audio Streaming	Two-way	
Interface	RJ-45, 10/100 Mb Ethernet	
Protocols	IPv4/v6, TCP/IP, UDP, RTP, RTSP, HTTP, HTTPS, ICMP, FTP, SMTP, DHCP, PPPoE, UPnP, IGMP, SNMP, QoS, IEEE 802.1X, ONVIF	
Digital Alarm Input	4	
Digital Alarm Output	2	
Alarm Reaction	Preset, Sequence, Auto-Pan, Cruise	
Security	User Account and Password Protection	
Supported Web Browser	Internet Explorer (6.0+), Chrome, Firefox, Safari	
General		
Environment	Indoor / Outdoor	
Operating Temperature	NH720	0 °C ~ 40 °C (32 °F ~ 104 °F)
Temperature	NH820	-40 °C ~ 50 °C (-40 °F ~ 122 °F)
Weatherproof Standard	IP66 international (NH820 series only)	
Dimension	NH720	Φ171.7 × 228.71 mm (Φ6.76 × 9 inches)
	NH820	Φ191.97 × 282.11 mm (Φ7.55 × 11.1 inches), with sunshield
Weight	NH720	1.62 Kg (3.57 lbs)
	NH820	2.32 Kg (5.11 lbs)
Power Source	NH720	PoE+ / AC 24V ± 10%
	NH820	AC 24V ± 10%
Power Consumption	NH720	20 W
	NH820	65 W (with heater)
Regulatory	CE, FCC, RoHS	

Product specification and availability subject to change without notice. Certain product names mentioned herein may be trade names and / or registered trademarks of their companies.