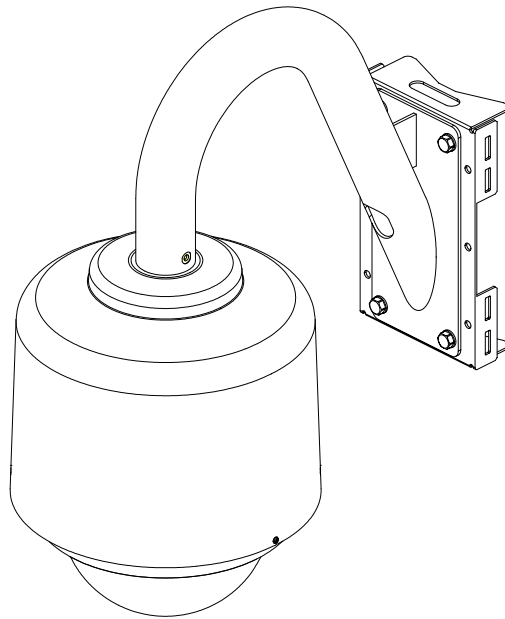


User's Manual

MOUNTING ACCESSORIES



STANDARD

Version 1.7

Before attempting to connect or operate this product, please read these instructions completely.

00-377H0-XXX

CONTENTS

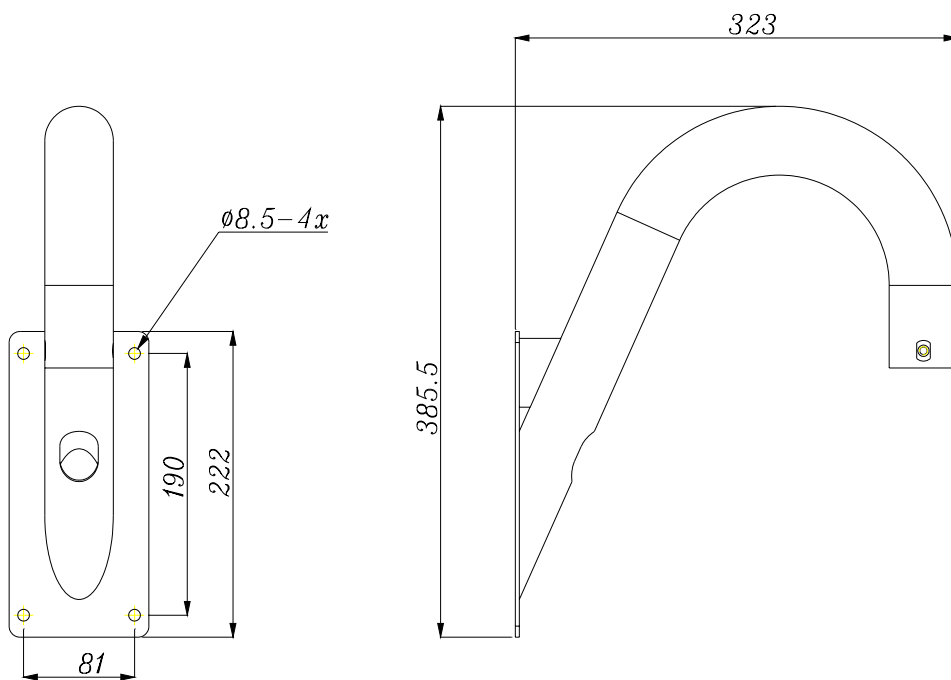
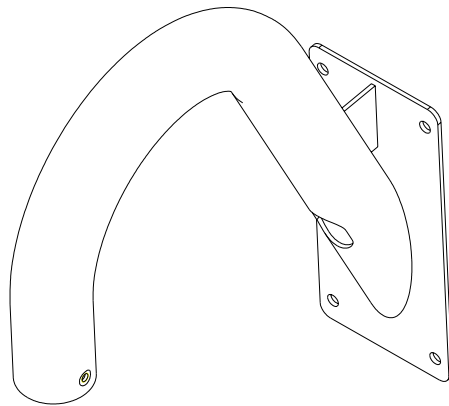
PREFACE.....	2
PANDENT - GOOSENECK TUBE.....	3
PANDENT - GOOSENECK PENDANT	4
PANDENT - STRAIGHT TUBE 25CM/50CM.....	5
CORNER MOUNT - TRANDITIONAL	6
POLE MOUNT – TD TYPE.....	7
POLE MOUNT – TB TYPE.....	1
CORNER MOUNT – TBC TYPE.....	5
POLE MOUNT – WD TYPE.....	6
POLE MOUNT – WB TYPE.....	7
CORNER MOUNT – WBC TYPE	8
POWER BOX	9
TOOLS	10
STAINLESS STRAPS	11
APPENDIX	12

PREFACE

The mounting accessories are designed for dome camera installation.

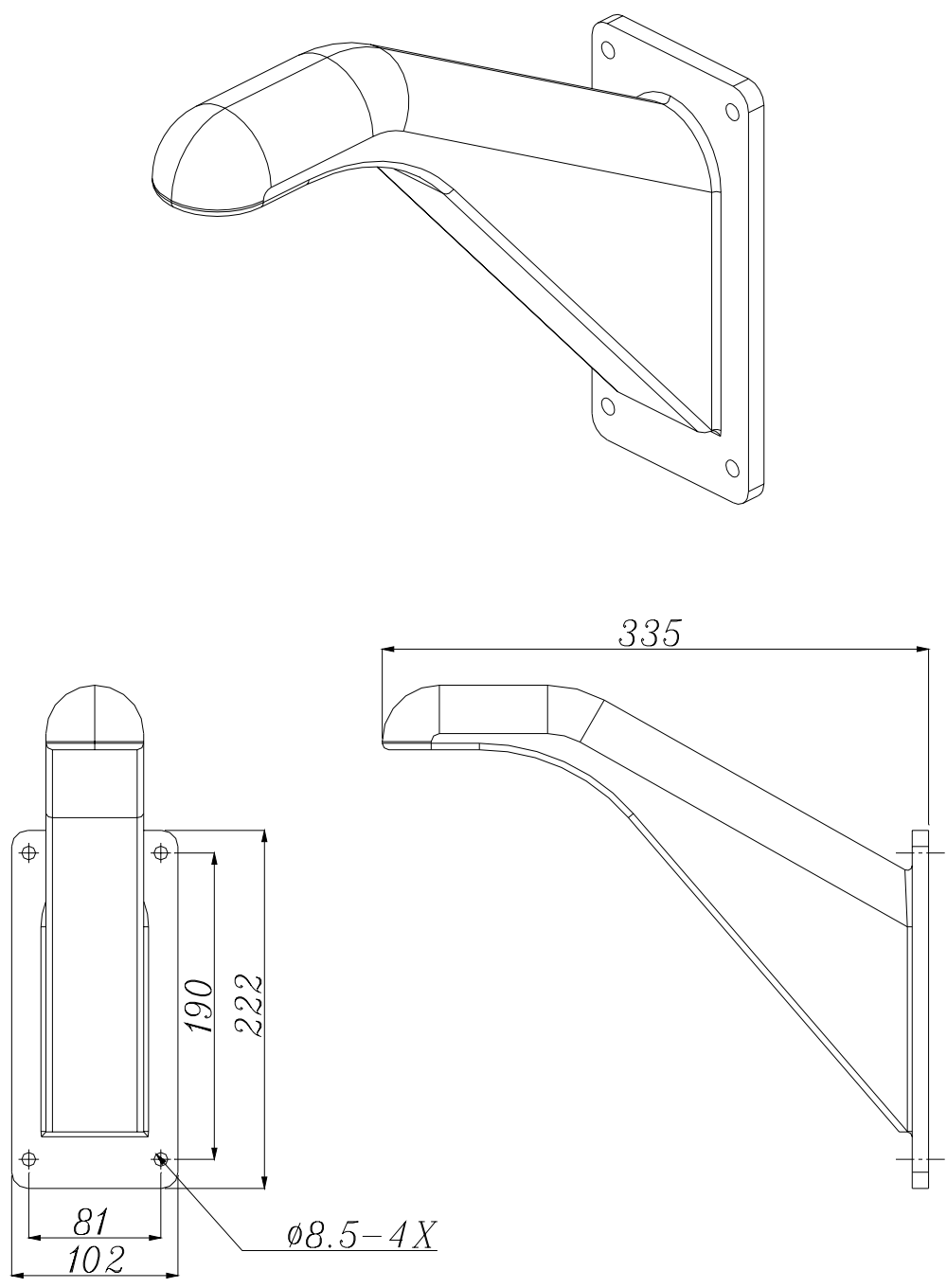
PANDENT - GOOSENECK TUBE

GOOSENECK TUBE



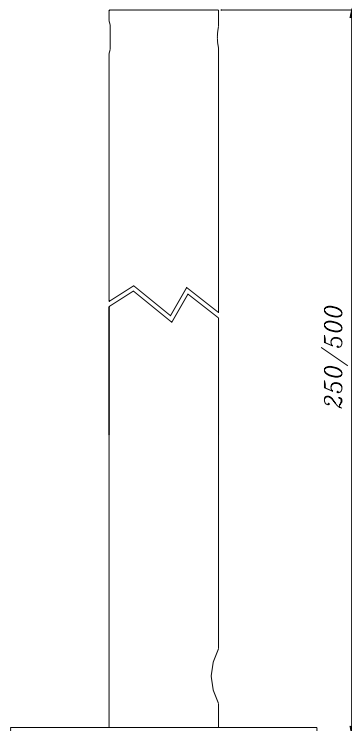
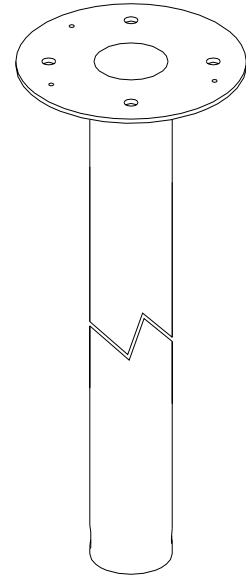
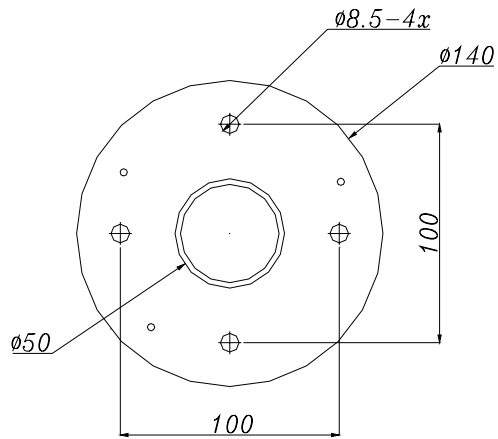
PANDENT - GOOSENECK PENDANT

GOOSENECK PANDENT



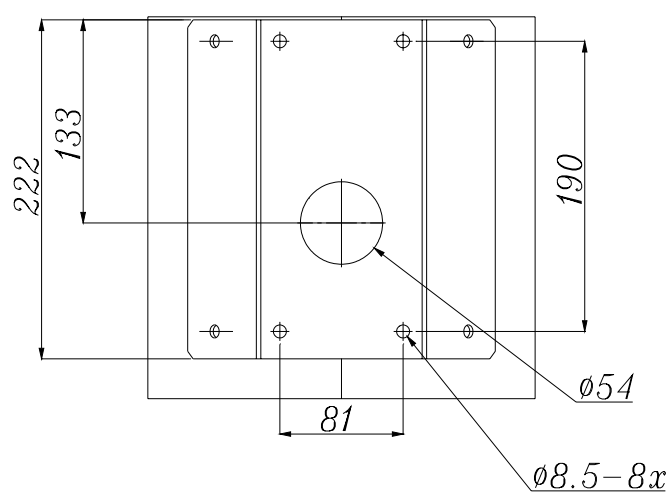
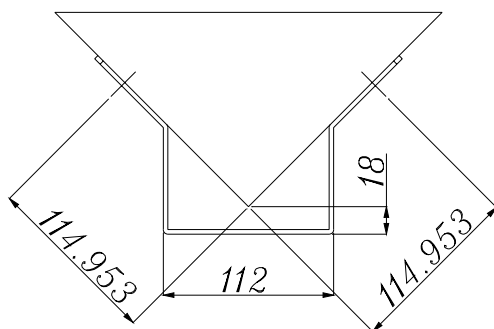
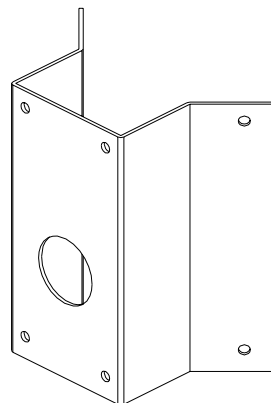
PANDENT - STRAIGHT TUBE 25CM/ 50CM

STRAIGHT TUBE – 25CM / 50CM



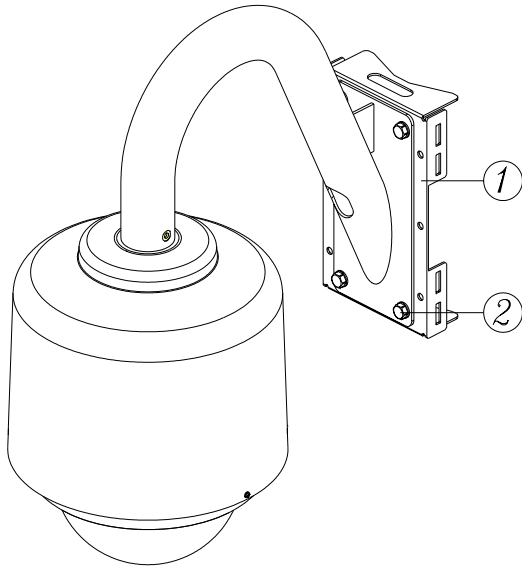
CORNER MOUNT - TRADITIONAL

TRADITIONAL CORNER MOUNT PLATE

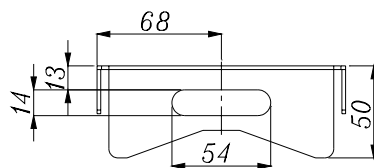
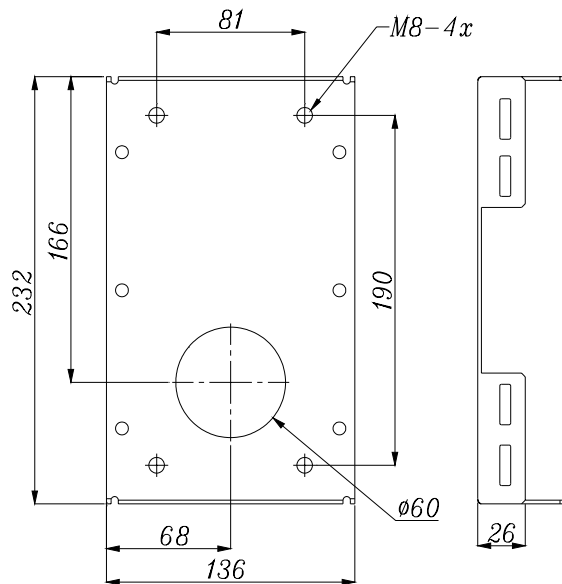


POLE MOUNT – TD TYPE

THIN DIRECT MOUNTING (THIN FRONT PROJECTION)

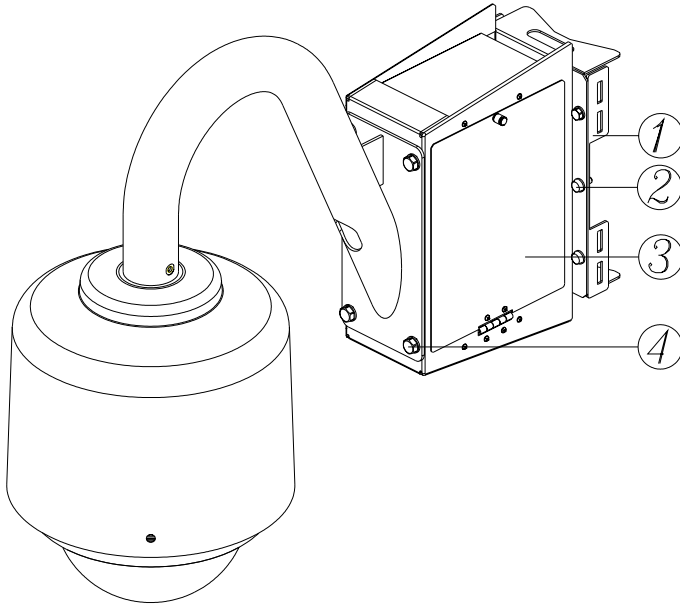


- 1. Pole Mount
- 2. Screw M8-4x

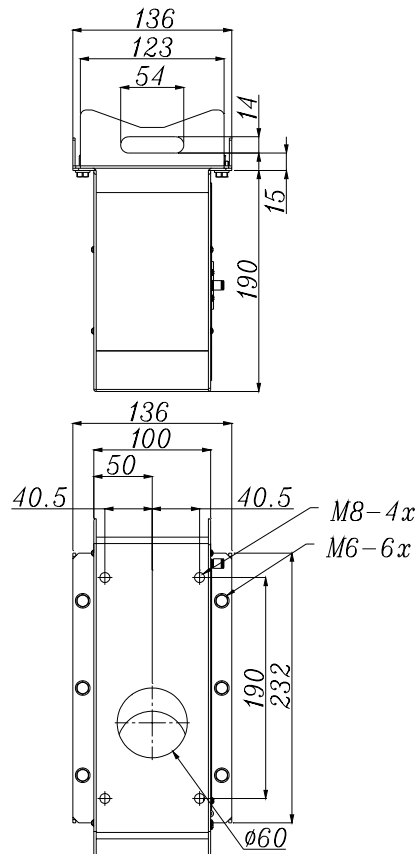


POLE MOUNT – TB TYPE

THIN BOX MOUNTING (THIN FRONT PROJECTION)

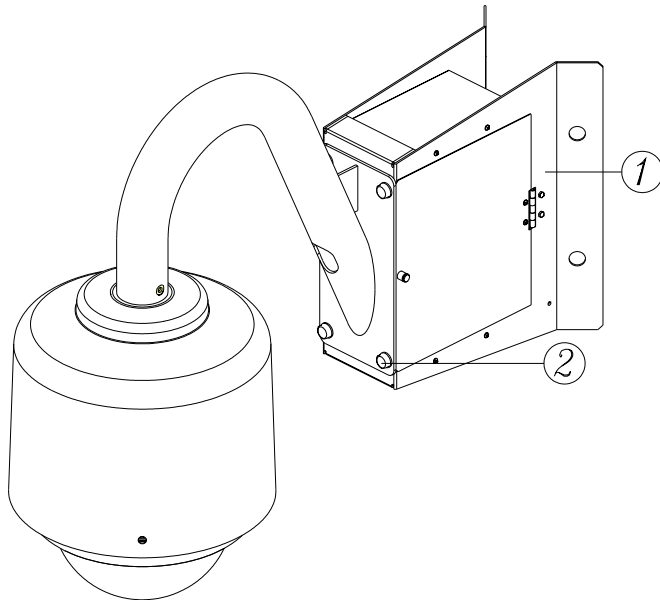


- 1. Pole Mount
- 2. Screw M6-6x
- 3. Junction Mount
- 4. Screw M8-4x

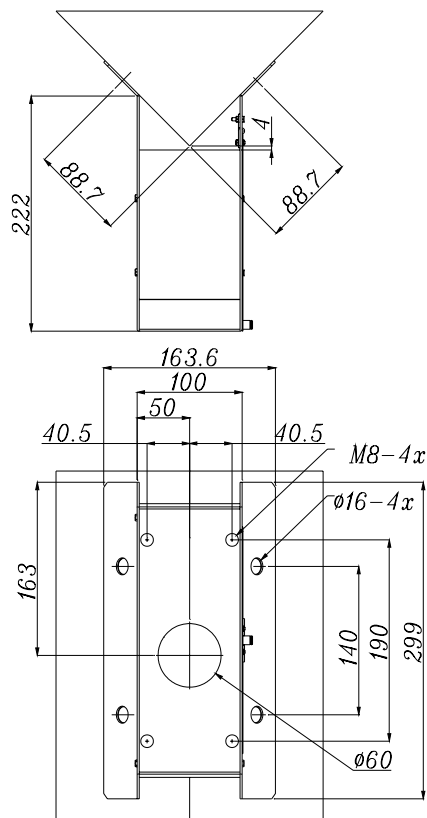


CORNER MOUNT – TBC TYPE

THIN BOX CORNER MOUNTING (THIN FRONT PROJECTION)

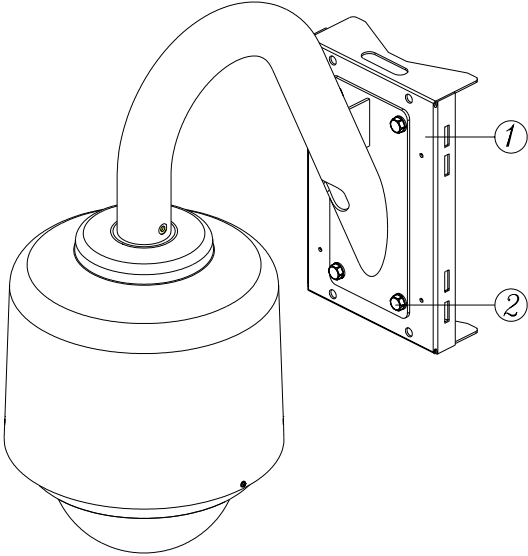


- 1. Corner Mount
- 2. Screw M8-4x

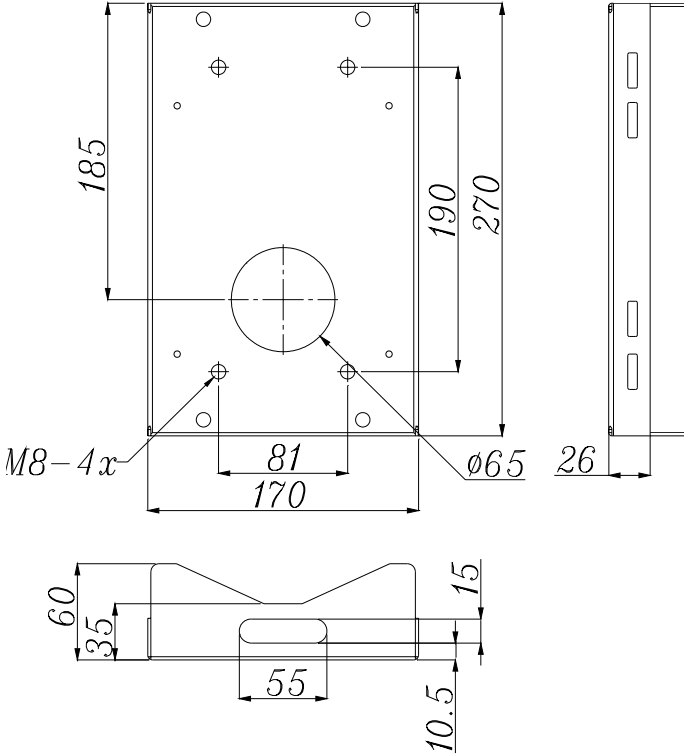


POLE MOUNT – WD TYPE

WIDE DIRECT MOUNTING (WIDE FRONT PROJECTION)

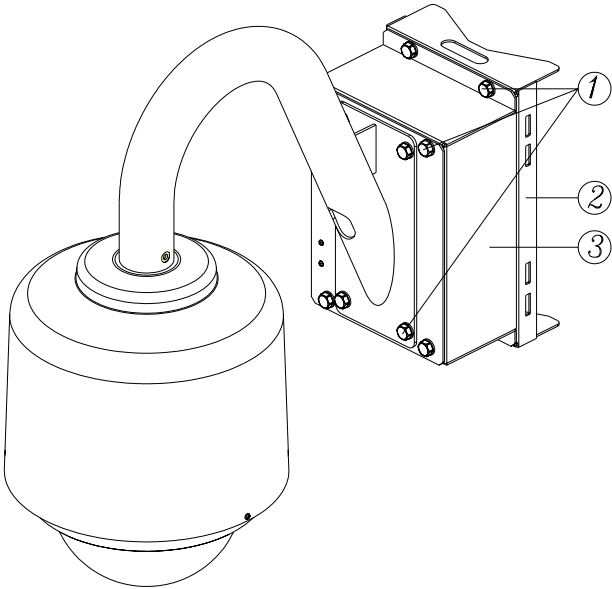


- 1. Pole Mount
- 2. Screw M8-4x

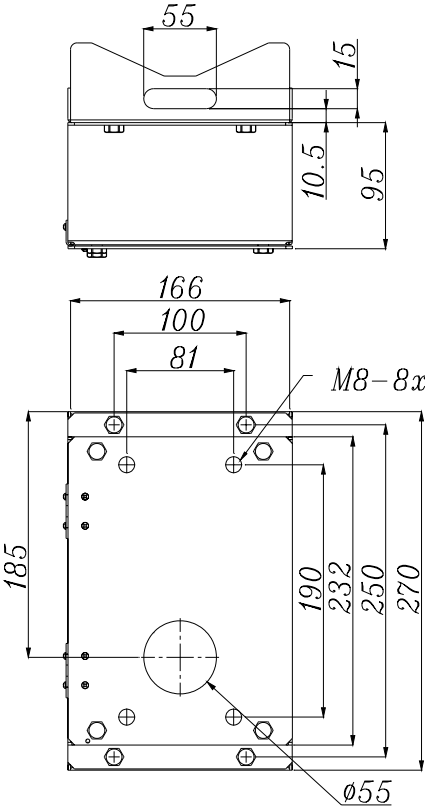


POLE MOUNT – WB TYPE

WIDE BOX MOUNTING (WIDE FRONT PROJECTION)

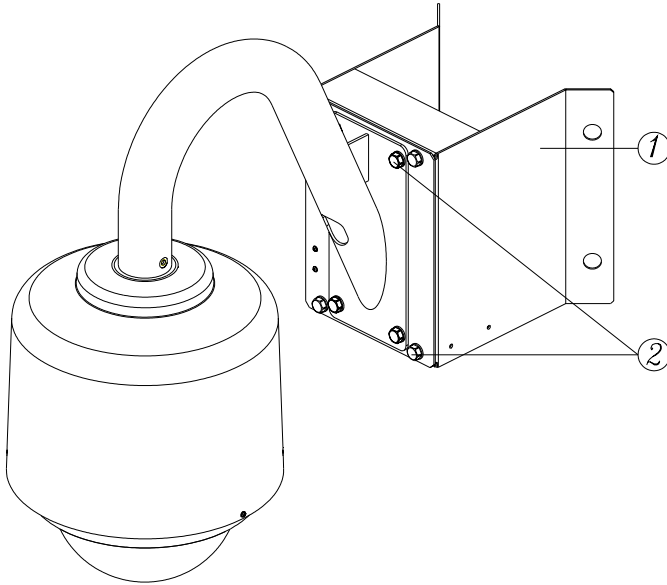


- 1. Screw M8-12x
- 2. Pole Mount
- 3. Junction Mount

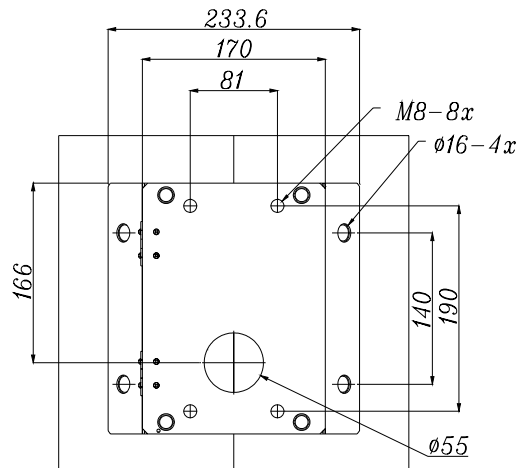
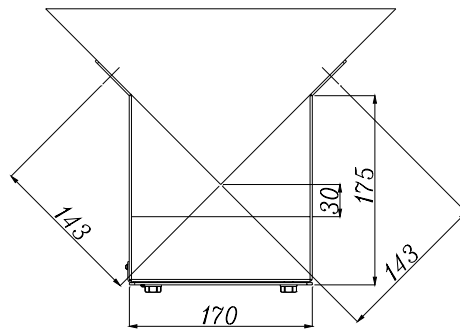


CORNER MOUNT – WBC TYPE

WIDE BOX CORNER MOUNTING (WIDE FRONT PROJECTION)

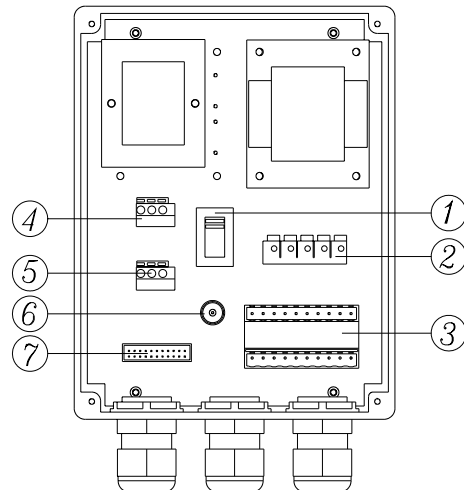
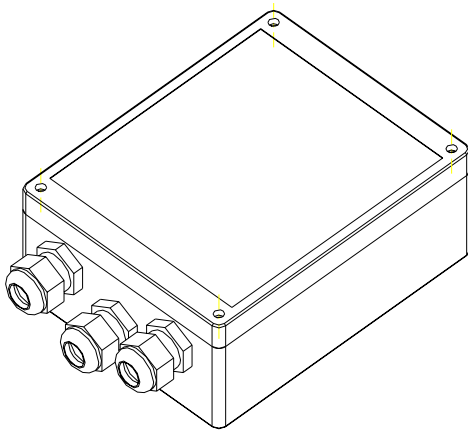
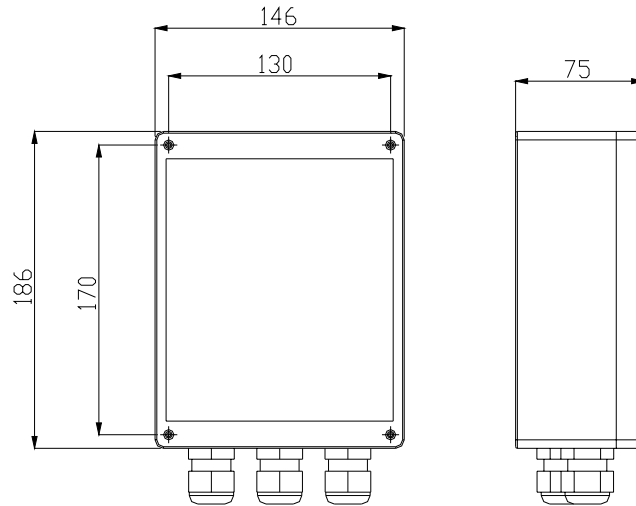


- 1. Corner Mount
- 2. Screw M8-8x



POWER BOX

POWER BOX FOR MOUNTING (110/220 VAC TO 24VAC) (AVAILABLE ONLY FOR D7723 SERIES)



1. Input Power Type Switch :
110/220 VAC Switch
2. AC Power Line Terminal Block
3. RS-485 and Alarm Connector
4. AC24V Output for Heater
5. AC24V Output for Dome
6. BNC Output Connector
7. 22 Pin Connector to Dome

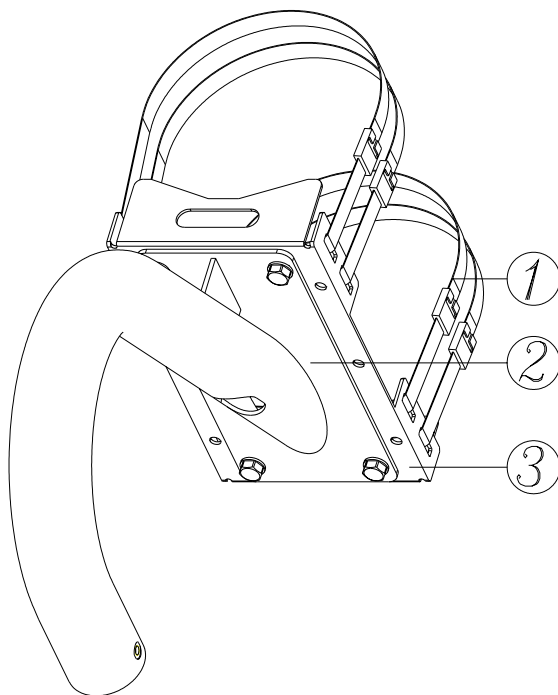
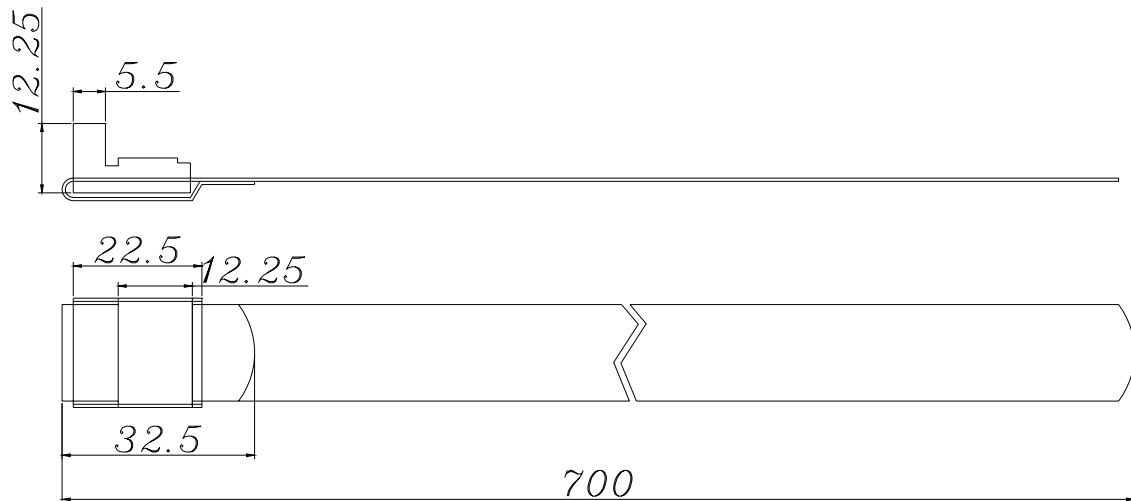
TOOLS

CUTTING TOOLS FOR STAINLESS STRAPES



STAINLESS STRAPS

STAINLESS STRAPES FOR POLE MOUNT



1. Stainless Straps
2. Gooseneck Tube
3. Pole Mount

APPENDIX

ACCESSORIES

Operation Manual 1 pcs.